













Montageanleitung

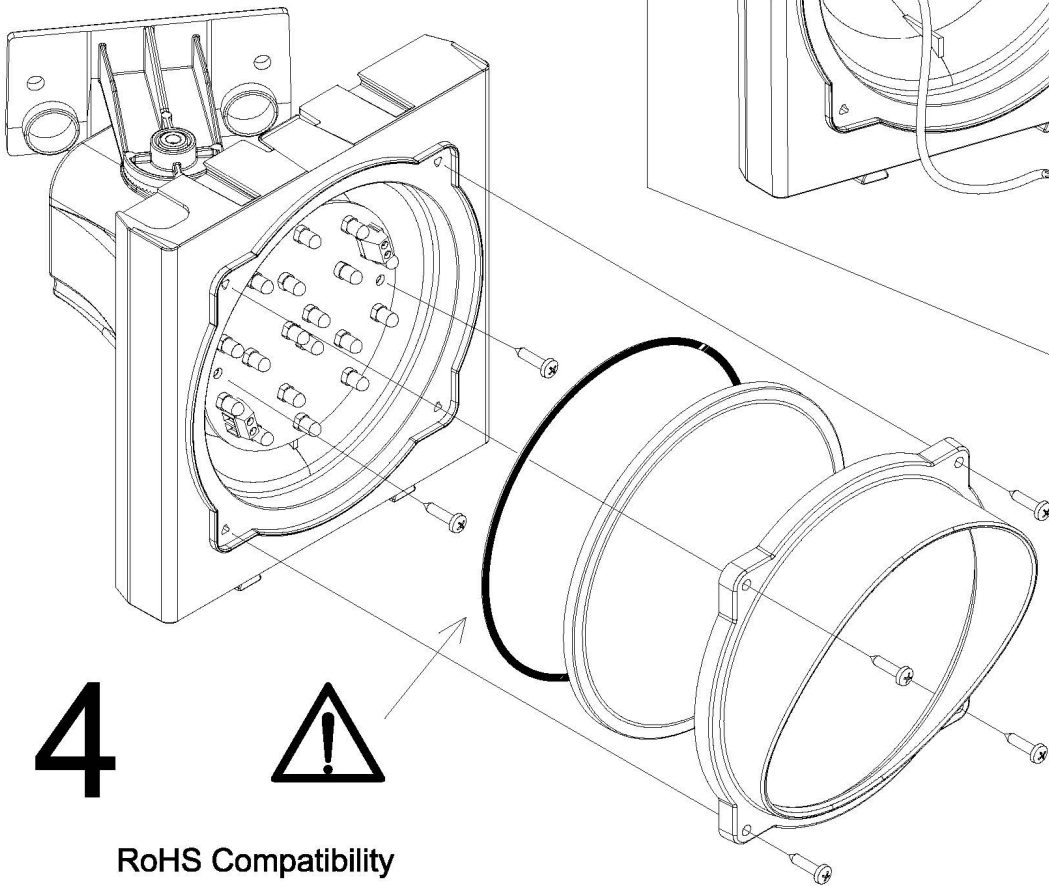
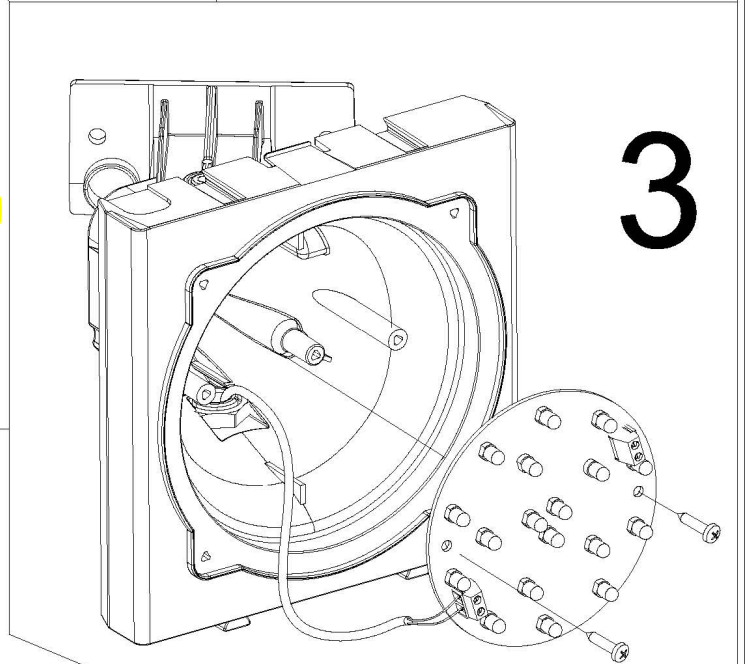
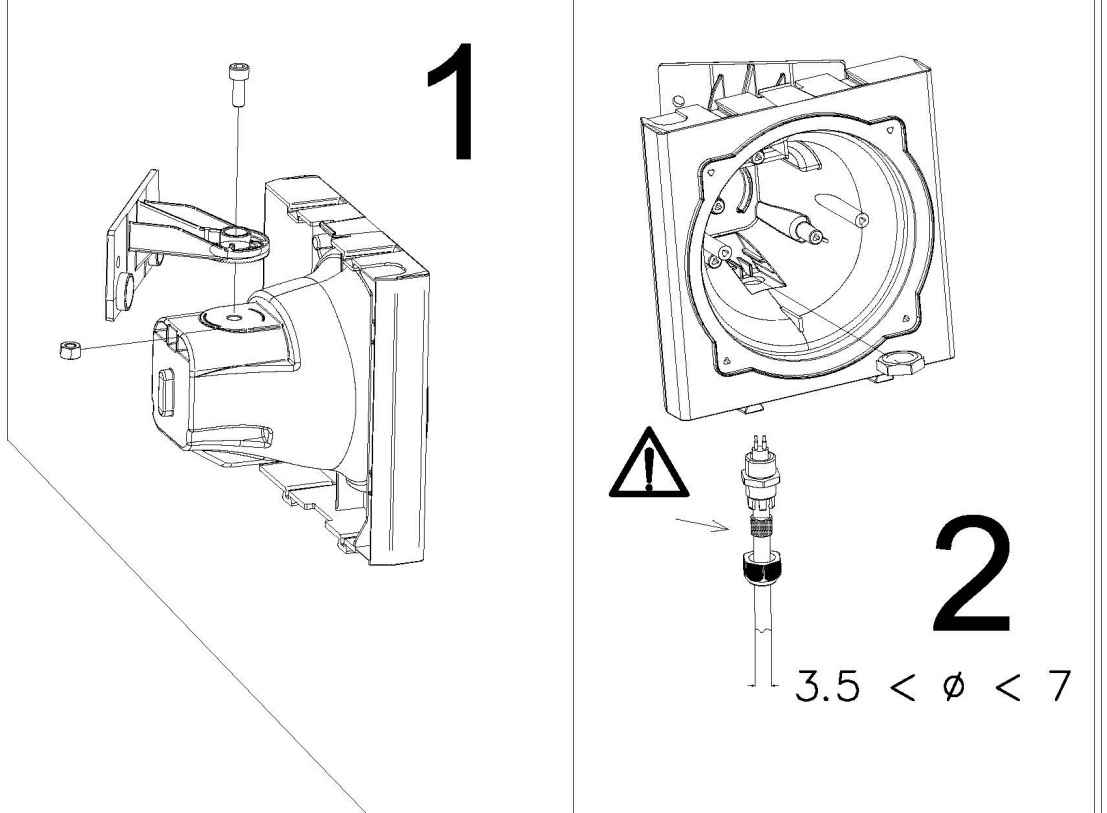
LED AMPEL

Tel. +49 (0) 8752 - 86 58 09-0
E-Mail: info@bauer-tore.de



	Q.tà
 ARSFS	1
 X61A100	1
 X61A569	1
 ARSFCP	2
 X61A1399 X61A1400 X61A1405	1
 X61A1244	1
 X61A1319	1
 X61A41	6
 ARSFP	1
 X61A17	1
 ARSFG ARSFR ARSFV	1
 ARSFCM	1

18÷38Vdc
12÷24Vac
max **1.5W**



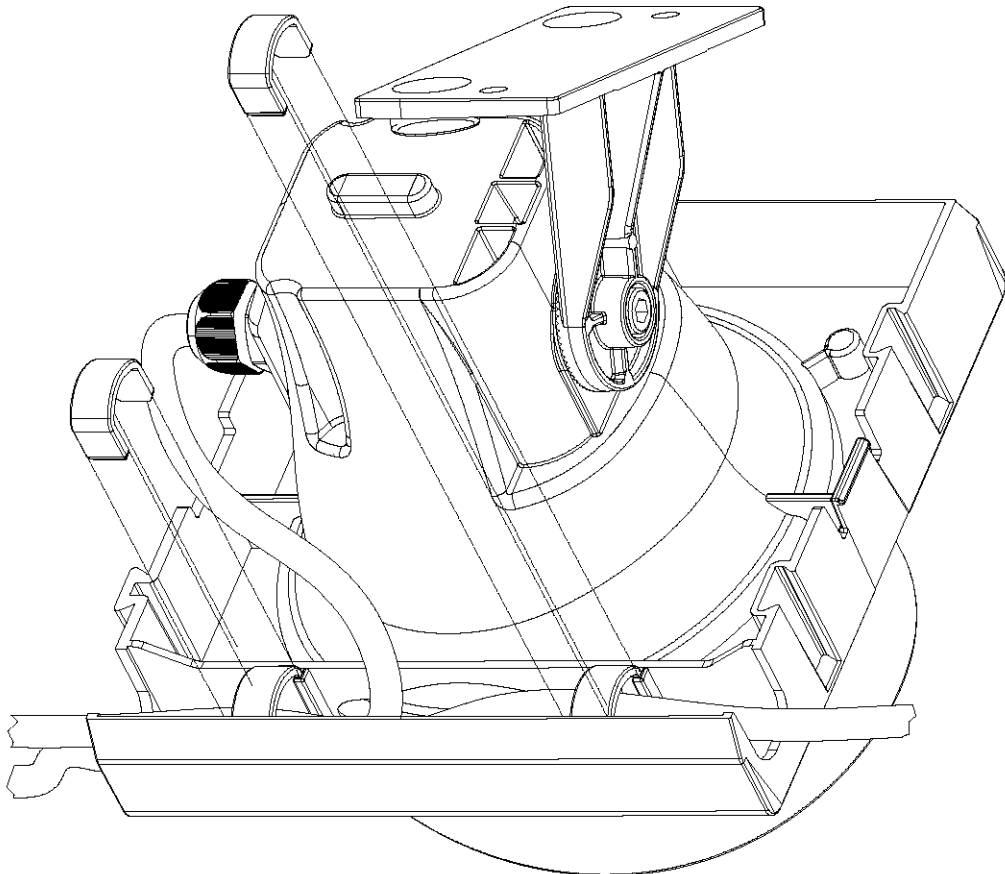
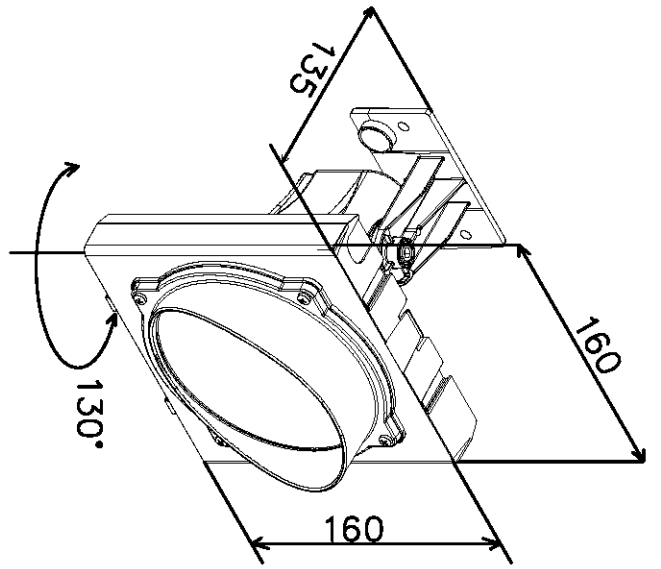
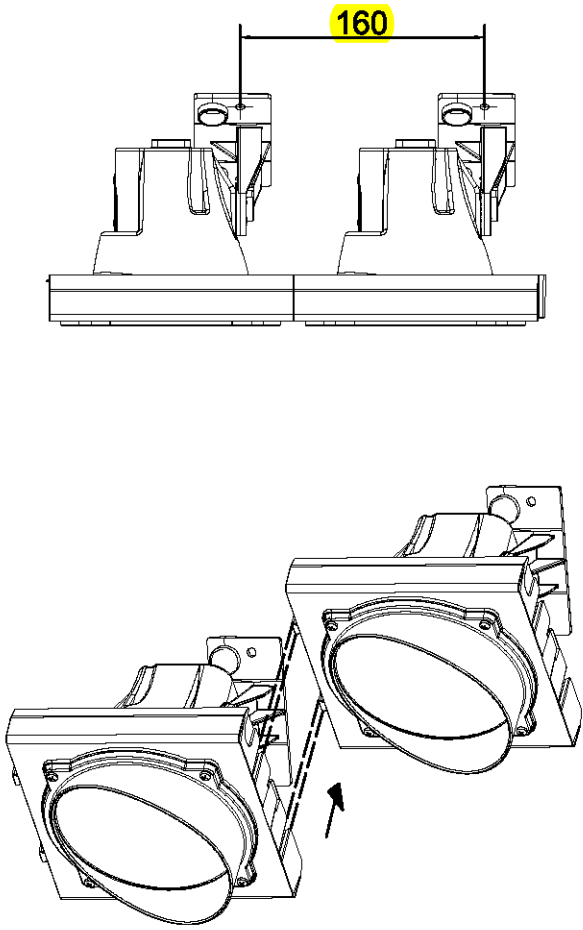
COD. ISTR. X61A1460 - REV 0 del 09/08

4



RoHS Compatibility

CE



**NON USARE LAMPADE AD INCANDESCENZA
DO NOT USE LIGHT BULBS**