

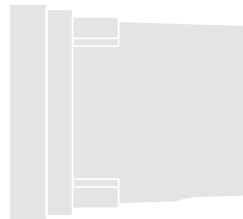
# EDSB / EDSIB



EDSB



EDSIB



## Digital switch

**EN** - Instructions and warnings for installation and use

**IT** - Istruzioni ed avvertenze per l'installazione e l'uso

**FR** - Instructions et avertissements pour l'installation et l'utilisation

**ES** - Instrucciones y advertencias de instalación y uso

**DE** - Installierungs-und Gebrauchsanleitungen und Hinweise

**PL** - Instrukcje i ostrzeżenia dotyczące instalacji i użytkowania urządzeń

**NL** - Aanwijzingen en aanbevelingen voor installatie en gebruik

 **BAUER**

Bauer Systemtechnik GmbH  
Geschäftsführer: Franz Bauer

Gewerbering 17  
D-84072 Au i.d. Hallertau  
Tel.: 0049 (0)8752-865809-0  
Fax: 0049 (0)8752-9599  
E-Mail: [info@bauer-tore.de](mailto:info@bauer-tore.de)  
Web: [www.bauer-tore.de](http://www.bauer-tore.de)


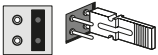
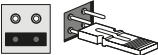
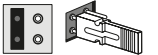
## 1 - GENERAL WARNINGS AND PRECAUTIONS

**CAUTION!** ● **Important safety instructions.** ● **It is important to observe these instructions for the safety of persons; read this manual carefully before starting work activities.** ● **Store these instructions.** ● Before commencing the installation, check whether the product is suitable for the desired use (see “Product application limits” and “Product technical specifications”). Should it not be suitable, DO NOT proceed with its installation. ● Handle the product with care during installation, and avoid crushing, knocks, falls or contact with liquids of any kind. Keep the product away from sources of heat and open flames. Failure to observe the above can damage the product and cause malfunctions or potential hazards. Should this occur, suspend installation activities immediately and contact the Nice Technical Support Service. ● Do not modify any part of the product. Operations other than those specified can cause malfunctions. The manufacturer declines all liability for damage caused by random modifications to the product. ● The product is not intended for use by persons (including children) with reduced physical, sensory or mental abilities, or by persons lacking adequate experience and familiarity with the product. ● The product is not intended as an absolute intrusion prevention system. If more effective protection is desired, the automation should be combined with other security devices.

## 2 - PRODUCT DESCRIPTION AND INTENDED USE

This device is a **digital selector with numerical combination** belonging to the **ERA** range. It is designed for controlling automations for doors, gates, garage doors, sectional doors and other similar products; it allows for checking and allowing access to places or facilities exclusively to authorised persons. The device only works with Nice products equipped with the “BlueBus” technology supporting the control devices. **CAUTION! – Any use other than the intended use described above, including use in environmental conditions other than those described in this manual, constitutes improper use and is forbidden!** ● The device communicates with the control unit and the other devices present through the “BlueBus” system. This system is based on “parallel” connections without any polarity, effected with 2 conductors carrying the electric power and communication signals. Each connected device must be addressed by inserting a jumper and must have a different address to those of other connected devices

**TABLE 1** - Addressing of installed devices

Address - 1	Address - 2
	
Address - 3	Address - 4
	

(Table 1), so that it can be detected by the control unit during the “recognition of connected devices” procedure. To guarantee protection against any illicit attempt to replace a device, during the recognition procedure the control unit creates an additional coded link to each device present, so as to bind it to itself. Further information on the “BlueBus” system can be found in the instruction manual of the control unit. ● The device allows for controlling the automation only if the user knows the combination associated with the command to be sent. The installed memory card (model BM1000) allows for storing up to 255 combinations. The combination-command pairings are stored during the programming phase, using the procedures described in this manual. Alternatively, the memory card can be removed and programmed directly using the Nice programming units (O-BOX or MOU).

### 3 - PRODUCT APPLICATION LIMITS

● The product can only be connected to a Nice S.p.A. control unit, equipped with “BlueBus” technology that supports the control devices. ● It is possible to connect up to 4 of the following devices to one “BlueBus” control unit: ETPB (transponder card reader), EDSB, EDSIB (combination digital keypads). ● Prior to proceeding with the installation, read the “Product technical characteristics” chapter to verify whether the conditions in which the product must be used fall within the threshold values defined by the manufacturer.

## 4 - INSTALLATION AND ELECTRICAL CONNECTIONS

### — Installation warnings —

● The EDSB model must be installed on a vertical wall, while the EDSIB model must be built into a vertical wall. ● To facilitate the entering of combinations and commands, position the product roughly 1.5 m above the ground. ● The location, surface and position chosen for installing the product must be compatible with the overall product dimensions; moreover, they must guarantee easy access, use and maintenance of the product, its adequate protection, also against accidental knocks, and stable fixing.

### — Installation phases —

**1** Read the instruction manual of the control unit and identify the characteristics of the electrical cables to be used. **2** Read the warnings at the start of chapter 4 for the positions for securing the devices. **3** Prepare the protection sheaths for the electrical cables. **4** Secure each device as indicated in **Fig. 1, 2, 3, 4, 5** - (EDSB) / **1, 2, 3, 4** - (EDSIB). **5 CAUTION!** – **Before you proceed to make any electrical connections make sure that the power supply is disconnected.** Insert the electrical cables into the protection sheaths and connect the devices in a “parallel” layout, as indicated in **Fig. 6** - (EDSB) / **5** - (EDSIB): it is not necessary to respect the polarity. **6** At this stage, if multiple devices must be installed (up to 4 devices, also taking into account any transponder card readers, ETPB), the position of the jumpers must be modified in each of them (**Fig. 7** - EDSB / **6** - EDSIB), by choosing the new address in **Table 1. Caution!** – Each device must have a dif-

ferent address to those used for other devices. **7** Power the control unit: the LED “L2” (Fig. 8 - EDSB / 7 - EDSIB) flashes to signal the type and status of the BM memory installed in the device (see Table 2 for explanations on the flashes), followed by 5 slow flashes, if the memory is empty. **8** Consult the control unit instruction manual to find the procedure for the “recognition of the devices connected to the control unit” then run the procedure (this will enable the control unit to individually recognise each “BlueBus” device connected). **9 Programme** the device by consulting Chapters 5, 6, 7, 8. **10** After completing the programming sequence, read Chapter 9 for instructions on how to use the device; subsequently, run the **Testing** procedure outlined in Chapter 10 to verify the correct operation of the installed devices. **11** Lastly, terminate the installation procedure as indicated in Fig. 9, 10 - (EDSB) / 8, 9 - (EDSIB).

## 5 - PROGRAMMING WARNINGS

### 5.1 - The combinations and their pairing with the commands

● A combination is an “access key” that must be programmed in accordance with the user’s needs. It can be formed **by one or more digits, up to a maximum of nine**, each digit being a number between “0” and “9”. ● A combination can be alternatively associated with one or both command buttons (▲ and ▼), depending on the procedure selected for its programming. — **If the combination is associated with one or more command buttons** (▲ or ▼), during the device’s use, after entering the combination simply press the command button associated with the combination (pressing the

other button does not produce any effect). — **if the combination is associated with both command buttons** (▲ and ▼), during the device’s use, one or more command buttons can be pressed after entering the combination: this mode allows for sending two different commands using the same combination. ● The device is set by default with the ▲ button paired with the “Step-by-Step” command, and with the ▼ button paired with the “Partial opening” command. These commands can be modified through Procedures 8.1.1 and 8.1.2. ● During the programming phase, the device buzzes to signal regular or faulty operation. Consult Table 3 for explanations on the buzzes.

### 5.2 - Subdivision of the programming procedures

- All the programming procedures contained in the manual are subdivided into two sections:
  - “**EASY**” programming mode
  - “**PROFESSIONAL**” programming mode
- **The “EASY” mode:** this mode only allows for programming one combination to be paired with the ▲ and ▼ buttons. Alternatively, two different combinations can be programmed: one to be paired with the ▲ button and the other to be paired with the ▼ button. The “Easy” mode also allows for running other functions, described in Chapter 8.
- **The “PROFESSIONAL” mode:** this mode allows for programming up to 255 combinations (the number may vary in relation to the memory card installed). To run the procedures pertaining to this mode, it is necessary to enter a “**password for Professional mode programming**”, **comprising 7 digits** (the default password is: **0-3-3-3-3-3-3**). **CAUTION! – Do not forget the programming**

**TABLE 2 - “L2” LED signals concerning the BM memory**

“L2” LED flashes	Meaning
<b>1 flash (red)</b>	BM60
<b>2 flashes (red)</b>	BM250
<b>3 flashes (red)</b>	BM1000
<b>4 flashes (red)</b>	Indicates that invalid codes are stored
<b>5 flashes (red)</b>	Error during memory reading
<b>5 slow flashes (red)</b>	Memory empty

**TABLE 3 - Buzzes emitted during programming**

Buzzes	Meaning
<b>1 buzz</b>	Signals normal pressing of a key.
<b>2 buzzes in close succession + 1 tone</b>	Signals the entering of an invalid combination.
<b>3 buzzes</b>	Signals the end and successful outcome of a programming procedure.
<b>1 buzz at regular intervals</b>	After entering the password incorrectly for 3 times, it signals that the keypad remains locked for 1 minute.
<b>Series of buzzes</b>	Signals that an error was committed and that the procedure failed.

password, or else you will have to erase the entire memory and restart the programming sequence from the beginning. In the “Professional” mode it is possible to run other functions, described in Chapter 8.

- **The two types of programming modes, “Easy” and “Professional”, are alternative to one another:** in other words, it is necessary to select one of the two before starting the programming phase, namely when the device’s memory is still empty. Subsequently, the programming mode can be changed (from “Easy” to “Professional” or vice-versa) by first erasing the entire memory of the device.

## 6 - PROCEDURES FOR PROGRAMMING THE DEVICE IN THE “EASY” MODE

**6.1 (Easy) Programming ONE combination to be paired with the ▲ and ▼ buttons** (this procedure is alternative to the one described in Paragraph 6.2).

**1** Press button “T”. **2** Enter the desired combination within 30 seconds (minimum 1, maximum 9 digits). **3** Press the ▲ button once and the ▼ button once. If the procedure was performed correctly, the keypad emits 3 buzzes.

**6.2 (Easy) Programming TWO different combinations: one to be paired with the ▲ button and another to be paired with the ▼ button** (this procedure is alternative to the one described in Paragraph 6.1).

**1** Press button “T”. **2** Enter within 30 seconds the **FIRST**

**desired combination** (minimum 1, maximum 9 digits). **3** Press the ▲ button twice. If the procedure was performed correctly, the keypad emits 3 buzzes. **4** Wait 5 seconds. **5** Press button “T”. **6** Enter within 30 seconds the **SECOND desired combination** (minimum 1, maximum 9 digits). **7** Press the ▼ button twice. If the procedure was performed correctly, the keypad emits 3 buzzes.

.....  
**PLEASE NOTE – Additional functions programmable in the “Easy” mode are described in Chapter 8.**

## 7 - PROCEDURES FOR PROGRAMMING THE DEVICE IN THE “PROFESSIONAL” MODE

---

**7.1 (Professional) Programming one combination to be paired with the ▲ button** (reference digit: **1**).

**1** Enter the programming password. – Press the ▼ button to confirm. **2 Enter the digit “1”**. – Press the ▼ button to confirm. **3** Enter the desired combination. – Press the ▼ button to confirm. **4** Enter the same combination again. – Press the ▼ button to confirm.

---

**7.2 (Professional) Programming one combination to be paired with the ▼ button** (reference digit: **2**).

**1** Enter the programming password. – Press the ▼ button

to confirm. **2 Enter the digit “2”**. – Press the ▼ button to confirm. **3** Enter the desired combination. – Press the ▼ button to confirm. **4** Enter the same combination again. – Press the ▼ button to confirm.

---

**7.3 (Professional) Programming one combination to be paired with the ▲ and ▼ buttons** (reference digits: **1-2**).

**1** Enter the programming password. – Press the ▼ button to confirm. **2 Enter the digits “1-2”**. – Press the ▼ button to confirm. **3** Enter the desired combination. – Press the ▼ button to confirm. **4** Enter the same combination again. – Press the ▼ button to confirm.

---

**7.4 (Professional) Changing the Password for programming the Professional mode** (reference digit: **3**).

The password can be modified whenever desired (the default password is: **0-3-3-3-3-3-3**). To modify the password it is necessary to know the last valid password.

**1** Enter the programming password. – Press the ▼ button to confirm. **2 Enter the digit “3”**. – Press the ▼ button to confirm. **3** Enter a **new password** for programming the “Professional” mode, using seven digits chosen personally. – Press the ▼ button to confirm. **4** Enter the same password again (i.e. the one just created). – Press the ▼ button to confirm.

### 7.5 (Professional) Cancelling ONE combination paired with the ▲ button (reference digit: 4).

**1** Enter the programming password. – Press the ▼ button to confirm. **2 Enter the digit “4”.** – Press the ▼ button to confirm. **3** Enter the combination to be cancelled, chosen among those paired with the ▲ button. – Press the ▼ button to confirm. **4** Re-enter the same combination to be cancelled. – Press the ▼ button to confirm.

### 7.6 (Professional) Cancelling ONE combination paired with the ▼ button (reference digit: 5).

**1** Enter the programming password. – Press the ▼ button to confirm. **2 Enter the digit “5”.** – Press the ▼ button to confirm. **3** Enter the combination to be cancelled, chosen among those paired with the ▼ button. – Press the ▼ button to confirm. **4** Re-enter the same combination to be cancelled. – Press the ▼ button to confirm.

### 7.7 (Professional) Cancelling ONE combination paired with the ▲ and ▼ buttons (reference digits: 4-5).

**1** Enter the programming password. – Press the ▼ button to confirm. **2 Enter the digits “4-5”.** – Press the ▼ button to confirm. **3** Enter the combination to be cancelled, chosen among those paired with the ▲ and ▼ buttons. – Press the ▼ button to confirm. **4** Re-enter the same combination to be cancelled. – Press the ▼ button to confirm.

### 7.8 (Professional) Counting the number of valid combinations paired with the ▲ button (reference digit: 6).

**1** Enter the programming password. – Press the ▼ button to confirm. **2 Enter the digit “6”.** – Press the ▼ button to confirm. **3** Therefore, to obtain the number of valid combinations paired with the ▲ button, count the sequences of the buzzes emitted by the device and read their explanation in **Table 4**.

**Note** – To find the total quantity of combinations relative to the ▲ button, also add the combinations paired with both the ▲ and ▼ buttons, calculated using the procedure described in Paragraph 7.10.

**TABLE 4 - Counting of the stored combinations**

The sequence of buzzes are emitted in the order shown: hundreds, tens, sets of 1.

<b>3 buzzes</b>	<b>hundreds</b> (e.g.: 2 sequences of 3 buzzes = 200 combinations)
<b>2 buzzes</b>	<b>tens</b> (e.g.: 3 sequences of 2 buzzes = 30 combinations)
<b>1 buzz</b>	<b>sets of 1</b> (e.g.: 5 sequences of 1 buzz = 5 combinations)
<b>1 buzz (10 sequences)</b>	<b>“zero” digit</b>

### 7.9 (Professional) Counting the number of valid combinations paired with the ▼ button (reference digit: 7).

**1** Enter the programming password. – Press the ▼ button to confirm. **2** Enter the digit “7”. – Press the ▼ button to confirm. **3** Therefore, to obtain the number of valid combinations paired with the ▼ button, count the sequences of the buzzes emitted by the device and read their explanation in **Table 4**.

**Note** – To find the total quantity of combinations relative to the ▼ button, also add the combinations paired with both the ▲ and ▼ buttons, calculated using the procedure described in Paragraph 7.10.

### 7.10 (Professional) Counting the number of valid combinations paired with the ▲ and ▼ buttons (reference digits: 6-7).

**1** Enter the programming password. – Press the ▼ button to confirm. **2** Enter the digits “6-7”. – Press the ▼ button to confirm. **3** Therefore, to obtain the number of valid combinations paired with the ▲ and ▼ buttons, count the sequences of buzzes emitted by the device and read the explanations in **Table 4**.

## DEACTIVATING AND REACTIVATING COMBINATIONS

This function allows for deactivating, or reactivating, all the combinations ending with a certain number. The deactivation

does not cancel the stored combinations. • Procedures 7.11 and 7.12 can be repeated, by involving each time a group of combinations with a different final number.

### 7.11 (Professional) Deactivating all combinations ending with a certain number (reference digit: 8).

**1** Enter the programming password. – Press the ▼ button to confirm. **2** Enter the digit “8”. – Press the ▼ button to confirm. **3** Enter the last number of the combinations to be deactivated. – Press the ▼ button to confirm. **4** Re-enter the last number of the combinations to be deactivated. – Press the ▼ button to confirm. If the procedure was performed correctly, the keypad emits 3 buzzes.

### 7.12 (Professional) Reactivating all combinations ending with a certain number (reference digit: 9).

**1** Enter the programming password. – Press the ▼ button to confirm. **2** Enter the digit “9”. – Press the ▼ button to confirm. **3** Enter the last number of the combinations to be reactivated. – Press the ▼ button to confirm. **4** Re-enter the last number of the combinations to be reactivated. – Press the ▼ button to confirm. If the procedure was performed correctly, the keypad emits 3 buzzes.

### 7.13 (Professional) Programming the number or times a combination must be used (reference numbers: 1-0).



All the combinations just created have **unlimited use** as the default setting. This procedure, instead, allows for setting a desired limit to the use of a combination: maximum 999 times; setting higher values determines an unlimited use of the combination. Successively, whenever the combination is used, the system will scale down its counter: when it reaches zero, it will no longer be possible to use the combination.

**1** Enter the programming password. – Press the ▼ button to confirm. **2** **Enter the digits “1-0”**. – Press the ▼ button to confirm. **3** Enter the combination for which use is to be limited. – Press the ▼ button to confirm. **4** Enter the same combination again. – Press the ▼ button to confirm. **5** Enter the number of times the combination must be used (maximum value 999). – Press the ▼ button to confirm. If the procedure was performed correctly, the keypad emits 3 buzzes.

**7.14 (Professional) Erasing all the memory programmed in the “Professional” mode, when the programming password is KNOWN** (reference digit: **0**).

**1** Enter the programming password. – Press the ▼ button to confirm. **2** **Enter the digit “0”**. – Press the ▼ button to confirm. **3** **Re-enter the digit “0”**. – Press the ▼ button to confirm. **4** **Re-enter once more the digit “0”**. – Press the ▼ button to confirm. At this stage, the device will emit 3 buzzes followed by 5 flashes of the “L2” LED. **5** Lastly, rerun the procedure for the “recognition of the devices connected to the control unit”, by consulting the control unit manual.

At the end of this procedure, the device will have to be re-

programmed. **Note** – at the start of a new programming operation, the user can once again choose which mode to use (“Easy” o “Professional”).

.....  
**PLEASE NOTE – Additional functions programmable in the “Professional” mode are described in Chapter 8.**

## 8 - FURTHER DETAILS – PROCEDURES COMMON TO BOTH “EASY” AND “PROFESSIONAL” PROGRAMMING MODES

### 8.1 - Changing the command associated with the ▲ button or button ▼

This button allows for changing the command associated with the ▲ button or ▼ button. The new desired command must be chosen from the “Command” column of **Table 5**. **Caution!** – Certain control units may have different commands to those appearing in Table 5.

**1** Enter a valid combination for the button for which the command must be modified. **2** Confirm the password by pressing the button (▲ or ▼) to which it is associated: the “L1” LED will emit a series of flashes followed by a pause depending on the currently set command (see **Table 5**). **3** Press button “T” several times for selecting the new desired command (the “L1” LED starts flashing): whenever this button is pressed, the system selects the next command listed in the table and keeps the programming mode open for another 10 seconds. Once this time elapses, the “L1” LED switches off and the sys-

tem reconfirms the previously selected command. **4** Lastly, press the button previously pressed at Point 02 to confirm the chosen command once more.

## 8.2 - Locking / unlocking the automation

This function allows for sending, through the keypad, the command for “locking” or for “unlocking” the automation.

**1** Press the ▲ button: the keypad will signal the “incorrect combination” error. **2** Wait 10 seconds: • to lock the automation = enter “0-0”. • to unlock the automation = enter “1-1”. **3** Within 10 seconds enter any valid combination. **4** Press the ▲ button to confirm the action selected at Point 02. If the procedure was performed correctly, the keypad will emit 3 buzzes and the “L2” LED will indicate the operating status (see **Table 6**).

**TABLE 5** - Commands that can be associated with the buttons ▲ or ▼

“L1” LED signal	Command
1 flash + pause	STEP-BY-STEP (by default paired with the ▲ button)
2 flashes + pause	OPEN
3 flashes + pause	CLOSE
4 flashes + pause	PARTIAL OPENING (by default paired with the ▼ button)
5 flashes + pause	STOP
6 flashes + pause	COURTESY LIGHT

## 8.3 - Erasing the entire memory

**1** Press and hold button “T”: the “L1” LED will remain lit; wait for it to flash 3 times then release button “T” during the third flash. **2** At this stage, the “L1” LED will emit a series of light pulses followed by 3 buzzes; after this, the LED on the front will flash 5 times. **3** Lastly, rerun the procedure for the “recognition of the devices connected to the control unit”, by consulting the control unit manual.

At the end of this procedure, the device will have to be re-programmed. **Note** – at the start of a new programming operation, the user can once again choose which mode to use (“Easy” o “Professional”).

## 9 - WARNINGS FOR USE OF THE DEVICE

● The device operates through numerical combinations that the user must know and enter onto the keypad for sending commands to the automation. ● For security reasons, the programmed combinations (and relative commands associated with them) should only be disclosed to users authorised to operate the automation. ● After entering the combination, the command can be transmitted by pressing the command button (▲ or ▼) associated with the relevant combination. ● If the entered combination is incorrect, the device emits a buzz. **Important!** – After the third consecutive entry of the incorrect combination, the system blocks the device’s operation for 60 seconds. Therefore, the user who makes a mistake while entering a combination should suspend the operation and wait 10 seconds before entering the combination again, starting from the first digit. ● While entering a combination, the user

has 10 seconds for entering consecutive digits; after this time has elapsed, the combination will have to be re-entered starting from the beginning. ● During the automation's operation, the "L2" LED emits light signals. Consult **Table 6** for explanations on their meaning.

## 10 - TESTING

Once programming is completed, it is necessary to verify whether the device functions properly, in the following way.

**A** Verify that the instructions specified in Chapter 1 - "General warnings and precautions" have been observed. **B** Read Chapter 9 for instructions on how to use the device correctly.

**C** Enter a valid combination on the keypad and press the command button associated with the combination. Subsequently, observe ... ● the signal emitted by the "L1" LED and consult **Table 5** for its interpretation; ● the signal emitted by the "L2" LED and consult **Table 6** for its interpretation; ● the command performed by the automation. If the observations and interpretations just carried out are contradictory, read Chapter 11 - "Troubleshooting". **D** Perform the check described in the previous point, for each of the other stored combinations.

## 11 - TROUBLESHOOTING

- **The "L2" LED emits 2 flashes + pause, red.** → Check behind the keypad to verify whether the jumper is properly inserted.
- **(Presence of multiple keypads connected to the same control unit). After transmitting a command, if the latter is not performed and the "L2" LED flashes 3 times**

**+ pause.** → Ensure that each keypad has the jumper inserted in a different position to those used by the other "BlueBus" control devices present in the installation.

- **No buzzes are heard when pressing the keypad buttons.** → Check that the BM memory is properly inserted.
- **After transmitting a command, if the "L1" LED flashes to signal that the command has been transmitted, but the control unit has actually not carried it out.** → Check that device recognition procedure performed by the control unit has been correctly executed.

**TABLE 6 - "L2" LED signals**

"L2" LED signal	Meaning
RED stable lit	Gate closed and automation unlocked
RED stable lit	Gate in closing phase
RED stable lit	Gate not closed nor open and automation unlocked
GREEN stable lit	Gate in opening phase
GREEN stable lit	Gate not closed nor open and automation locked
GREEN stable lit	Gate open and automation locked
GREEN stable lit	Gate closed and automation locked
RED (3 flashes + 1 pause)	Device non synchronised on "BlueBus"
RED (2 flashes + 1 pause)	Device not addressed (i.e. without jumper)

- **If the keypad does not switch on.** → Use an appropriate instrument to verify whether the “BlueBus” network is powered (VDC).
- **After powering the keypad, it switches on but the commands are not executed.** → Check that the control unit to which the keypad is connected supports the “BlueBus” connection for control devices.
- **If a combination is entered incorrectly for more than 3 times, the keypad locks and emits buzzes at regular intervals.** → The keypad unlocks automatically after 1 minute.
- **If the automation does not respond to the transmission of a command and the “L2” LED is stably lit (green).** → A command for locking the automation may have been accidentally transmitted. In this case, unlock the automation by performing the procedure described in Paragraph 8.2.2.

## 12 - PRODUCT MAINTENANCE

The product does not require any special maintenance; it is advisable to clean the external surfaces using a soft cloth slightly dampened with water. Do not use aggressive or abrasive substances, such as detergents, solvents or other similar products.

## 13 - PRODUCT DISPOSAL

This product constitutes an integral part of the automation and, therefore, must be disposed of together with it. • As applies to the product's installation, when the product reaches

the end of its service life, it must be dismantled by qualified personnel. • This product is made up of different types of material, some of which can be recycled while others must be disposed of. Seek information on the recycling and disposal systems envisaged by the local regulations in your area for this product category. **Caution!** – Some parts of the product may contain pollutant or hazardous substances which, if disposed of into the environment, may cause serious damage to the environment or human health. • As indicated by the adjacent symbol, it is forbidden to dispose of the product together with household waste. Adopt appropriate separate waste collection measures according to the regulations in force in your area, or hand the product over to the dealer when purchasing a new equivalent product. **Caution!** – Local regulations may envisage serious fines in the event of unlawful disposal of this product. • The packaging materials of the product must be disposed of in compliance with the local regulations.



## TECHNICAL SPECIFICATIONS

**WARNINGS:** • All technical specifications stated in this section refer to an ambient temperature of 20°C ( $\pm$  5°C). • Nice S.p.a. reserves the right to modify its products whenever deemed necessary, without altering their functionality and intended use.

● **Type:** combination control device. ● **Technology adopted:** “BlueBus” protocol (Nice S.p.A. standard) for connection and communication via bus cable. ● **Back-lit buttons:** red. ● **Length of the connection cable:** refer to the instruction manual of the control unit. ● **Power supply:** Via Nice S.p.A. “BlueBus” system. ● **Power absorption:** 1.5 “BlueBus” units. ● **Memory capacity:** 255 combinations on BM1000 removable card (the maximum number of storable combinations varies in relation to the card model installed). ● **Insulation:** Class III. ● **Container protection rating:** EDSB = IP 44; EDSIB = IP 54. ● **Operating temperature:** from -20 °C to +55 °C. ● **Use in acidic, saline or potentially explosive atmosphere:** no. ● **Installation:** EDSB - on a vertical wall, PPK column or PPH2 column (with EKA01 adapter); EDSIB - recessed in vertical wall. With the EKA02 accessory, it can also be installed with a recessed housing manufactured by Nice. ● **Dimensions (mm):** EDSB = 70 x 70 x 27; EDSIB = 70 x 70 x 78 (13 mm external part, when the product is mounted recessed). ● **Weight (g):** EDSB = 245; EDSIB = 205.

## 1 - AVVERTENZE E PRECAUZIONI GENERALI

### ATTENZIONE! ● Istruzioni importanti per la sicurezza.


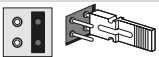
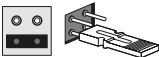
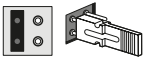
● Per la sicurezza delle persone è importante rispettare queste istruzioni; quindi leggere attentamente il manuale prima di iniziare il lavoro. ● Conservare queste istruzioni. ● Prima di iniziare l'installazione verificare se il prodotto è adatto al tipo di utilizzo desiderato (leggere i "Limiti d'impiego" e le "Caratteristiche tecniche del prodotto"). Se non è adatto, NON procedere alla sua installazione. ● Durante l'installazione maneggiare con cura il prodotto evitando schiacciamenti, urti, cadute o contatto con liquidi di qualsiasi natura. Non mettere il prodotto vicino a fonti di calore, né esporlo a fiamme libere. Tutte queste azioni potrebbero danneggiarlo ed essere causa di malfunzionamenti o situazioni di pericolo. Se questo accade, sospendere immediatamente l'installazione e rivolgersi al Servizio Assistenza Nice. ● Non eseguire modifiche su nessuna parte del prodotto. Operazioni non permesse possono causare solo malfunzionamenti. Il costruttore declina ogni responsabilità per danni derivanti da modifiche arbitrarie al prodotto. ● Il prodotto non è destinato ad essere usato da persone (bambini compresi) le cui capacità fisiche, sensoriali o mentali siano ridotte, oppure con mancanza di esperienza o di conoscenza. ● Il prodotto non può essere considerato un assoluto sistema di protezione contro l'intrusione. Se de-

siderate proteggervi più efficacemente, è necessario integrare l'automazione con altri dispositivi di sicurezza.

## 2 - DESCRIZIONE DEL PRODOTTO E DESTINAZIONE D'USO

Il presente dispositivo è un **selettore digitale a combinazione numerica** che fa parte della gamma **ERA**. È destinato al comando di automazioni per porte, cancelli, portoni da garage, porte sezionali e altri prodotti simili; permette di verificare e consentire l'accesso a luoghi o servizi, esclusivamente alle persone autorizzate. Il dispositivo funziona solo con i prodotti Nice dotati della tecnologia "BlueBus" che supporta i dispositivi di comando. **ATTENZIONE! – Qualsiasi altro uso diverso da quello descritto e in condizioni ambientali diverse da quelle riportate in questo manuale è da considerarsi improprio e vietato!** ● Il dispositivo comunica con la centrale di comando e gli altri dispositivi presenti, tramite il sistema "BlueBus". Questo sistema prevede i collegamenti "in parallelo", senza alcuna polarità, effettuati con 2 conduttori sui quali

TABELLA 1 - Indirizzamento dei dispositivi installati

Indirizzo - 1	Indirizzo - 2
	
Indirizzo - 3	Indirizzo - 4
	

transitano l'alimentazione elettrica e i segnali di comunicazione. Ogni dispositivo collegato deve essere indirizzato con l'inserimento di un jumper, e deve avere un indirizzo diverso da quelli degli altri dispositivi collegati (**Tabella 1**) affinché possa essere riconosciuto dalla centrale durante la procedura di "apprendimento dei dispositivi collegati". Per garantire sicurezza contro eventuali tentativi fraudolenti di sostituzione di un dispositivo, durante la procedura di apprendimento la centrale crea un ulteriore legame codificato con ogni dispositivo presente, in modo da vincolarlo a se. Ulteriori informazioni sul sistema "BlueBus" sono contenute nel manuale istruzioni della centrale. ● Il dispositivo consente di comandare l'automazione soltanto se l'utente conosce la combinazione abbinata al comando che desidera inviare. La scheda di memoria installata (mod. BM1000) consente di memorizzare fino a 255 combinazioni. Gli abbinamenti tra combinazioni e comandi vengono memorizzati durante la fase di programmazione, utilizzando le procedure riportate in questo manuale. In alternativa, la scheda di memoria può essere rimossa e programmata direttamente con le unità di programmazione Nice (O-BOX oppure MOU).

### 3 - LIMITI DI IMPIEGO DEL PRODOTTO

● Il prodotto può essere collegato esclusivamente a una centrale di comando di Nice Spa, dotata di tecnologia "BlueBus" che supporta i dispositivi di comando. ● Ad una centrale "BlueBus" è possibile collegare fino a 4 dei seguenti dispositivi: ETPB (lettore di card a transponder), EDSB, EDSIB (tastiere digitali a combinazione). ● Prima di procedere all'installazione leggere il capitolo "Caratteristiche tecniche del prodotto" per verificare se le condizioni in cui si desidera impiegare il prodotto rientrano nei valori limite stabiliti dal produttore.

## 4 - INSTALLAZIONE E COLLEGAMENTI ELETTRICI

### — Avvertenze all'installazione —

● Il modello EDSB deve essere installato su una parete verticale, invece il modello EDSIB deve essere incassato in una parete verticale. ● Per agevolare la digitazione delle combinazioni e dei comandi, posizionare il prodotto a circa 1,5 m da terra. ● Il luogo, la superficie e la posizione prescelti per l'installazione devono essere compatibili con l'ingombro totale del prodotto, devono garantire un accesso, un uso e una manutenzione agevole del prodotto, devono garantire la protezione del prodotto e il riparo da urti accidentali, devono garantire un fissaggio stabile del prodotto.

### — Fasi dell'installazione —

**1** Leggere il manuale istruzioni della centrale di comando e individuare le caratteristiche dei cavi elettrici da utilizzare. **2** Leggere le avvertenze all'inizio del capitolo 4 per individuare la posizione in cui fissare i dispositivi previsti. **3** Predisporre i tubi di protezione per i cavi elettrici. **4** Fissare ogni dispositivo previsto, come indicato nelle **fig. 1, 2, 3, 4, 5** - (EDSB) / **1, 2, 3, 4** - (EDSIB). **5** **ATTENZIONE! – Tutti i collegamenti devono essere eseguiti in assenza di alimentazione elettrica.** Passare i cavi elettrici nei tubi di protezione e collegare i dispositivi in "parallelo", come indicato nella **fig. 6** - (EDSB) / **5** - (EDSIB): non è necessario rispettare alcuna polarità. **6** A questo punto, se nell'installazione sono presenti più dispositivi (fino a 4 dispositivi, considerando anche eventuali lettori di tessere a transponder, ETPB) è necessario cambiare la posizione del jumper in ognuno di essi (**fig. 7** - EDSB / **6** - EDSIB),

scegliendo un nuovo indirizzo nella **Tabella 1. Attenzione!** – Ogni dispositivo deve avere un indirizzo diverso da quelli usati negli altri dispositivi. **7** Dare alimentazione elettrica alla centrale di comando: il Led “**L2**” (**fig. 8 - EDSB / 7 - EDSIB**) emette dei lampeggi per indicare il tipo e lo stato della memoria BM installata nel dispositivo (consultare la **Tabella 2** per capire il significato dei lampeggi), seguiti eventualmente da 5 lampeggi lenti, se la memoria è vuota. **8** Individuare nel manuale istruzioni della centrale di comando la procedura per “l’apprendimento dei dispositivi collegati alla centrale”; quindi, eseguirla (questo consentirà alla centrale di riconoscere individualmente ogni dispositivo “BlueBus” collegato). **9** Eseguire la **Programmazione** del dispositivo facendo riferimento ai capitoli 5, 6, 7, 8. **10** Al termine della programmazione leggere il capitolo 9 sull’uso del dispositivo; poi eseguire la procedura di **Collaudo** riportata nel capitolo 10, per verificare il corretto funzionamento dei dispositivi installati. **11** Infine, terminare l’installazione come indicato nelle **fig. 9, 10 - (EDSB) / 8, 9 - (EDSIB)**.

## 5 - AVVERTENZE ALLA PROGRAMMAZIONE

### 5.1 - Le combinazioni e il loro abbinamento ai comandi

● Una combinazione è una “chiave di accesso” che deve essere programmata in funzione delle necessità e delle esigenze dell’utente. Può essere formata **da una o più cifre, fino a un massimo di nove cifre**, e ogni cifra può assumere un valore numerico desiderato, da “0” a “9”. ● Una combinazione può essere abbinata alternativamente a uno, oppure, a entrambi i tasti comando (▲ e ▼), in base alla procedura che si sceglie

per programmarla. — **Se la combinazione viene abbinata a uno dei due tasti comando** (▲ o ▼), durante l’uso del dispositivo, dopo l’inserimento della combinazione preme soltanto il tasto comando abbinato alla combinazione (la pressione sull’altro tasto non produce nessun effetto). — **Se la combinazione viene abbinata a entrambi i due tasti comando** (▲ e ▼), durante l’uso del dispositivo, dopo l’inserimento della combinazione è possibile premere uno o l’altro tasto comando: questa modalità dà la possibilità di inviare due comandi diversi utilizzando una stessa combinazione. ● Il dispositivo esce dalla fabbrica con il tasto ▲ abbinato al comando “Passo-Passo”, e con il tasto ▼ abbinato al comando “Apertura parziale”. È possibile cambiare questi comandi utilizzando le procedure 8.1.1 e 8.1.2. ● Durante la fase di programmazione il dispositivo emette dei toni acustici per se-

**TABELLA 2 - Segnalazioni del Led “L2” riguardanti la memoria BM**

Lampeggi Led “L2”	Significato
<b>1 lamp. in colore rosso</b>	BM60
<b>2 lamp. in colore rosso</b>	BM250
<b>3 lamp. in colore rosso</b>	BM1000
<b>4 lamp. in colore rosso</b>	Indica che sono memorizzati dei codici non validi
<b>5 lamp. in colore rosso</b>	Errore durante la lettura della memoria
<b>5 lamp. (lenti) in colore rosso</b>	Memoria vuota



gnalare il funzionamento regolare oppure un errore. Consulta-  
re la **Tabella 3** per capire il significato di questi toni acustici.

## 5.2 - Suddivisione delle procedure di programmazione

- Tutte le procedure di programmazione contenute nel manuale sono suddivise in due sezioni:
  - **programmazione in modo “EASY”**
  - **programmazione in modo “PROFESSIONAL”.**
- **Cos'è la modalità “EASY”:** questa modalità consente di programmare soltanto una combinazione da abbinare ai tasti ▲ e ▼. In alternativa è possibile programmare due combinazioni diverse: una da abbinare al tasto ▲ e l'altra

**TABELLA 3** - Segnalazioni acustiche durante la programmazione

Tono acustico	Significato
<b>1 tono</b>	Segnala la normale digitazione di un tasto.
<b>2 toni vicini + 1 tono</b>	Segnala l'inserimento di una combinazione non valida.
<b>3 toni</b>	Segnala la fine e il buon esito della procedura di programmazione.
<b>1 tono con cadenza regolare</b>	Dopo aver digitato per 3 volte la password, in modo errato, segnala che la tastiera resta bloccata per 1 minuto.
<b>Serie di toni</b>	Segnala che è stato commesso un errore e che la procedura è fallita.

da abbinare al tasto ▼. Nella modalità “Easy” possono essere eseguite anche altre funzioni riportate nel capitolo 8.

- **Cos'è la modalità “PROFESSIONAL”:** questa modalità consente di programmare fino a 255 combinazioni (il numero può variare in base alla scheda di memoria installata). Per effettuare le procedure appartenenti a questa modalità è necessario inserire una **“password per la programmazione Professional”, composta da 7 cifre** (la password impostata in fabbrica è: **0-3-3-3-3-3-3**). **ATTENZIONE! – Non dimenticare la password di programmazione altrimenti sarà necessario cancellare tutta la memoria e rifare dall'inizio la programmazione.** Nella modalità “Professional” possono essere eseguite anche altre funzioni riportate nel capitolo 8.
- **Le due tipologie di programmazione “Easy” e “Professional” sono alternative tra loro:** cioè la scelta di una delle due deve essere fatta prima di iniziare la fase di programmazione, cioè quando la memoria del dispositivo è ancora vuota. In seguito, se si desidera cambiare modalità di programmazione (da “Easy” a “Professional” o viceversa) sarà necessario cancellare prima tutta la memoria del dispositivo.

## 6 - PROCEDURE PER PROGRAMMARE IL DISPOSITIVO IN MODO “EASY”

**6.1 (Easy) Programmare UNA combinazione da abbinare ai tasti ▲ e ▼** (questa procedura è alternativa a quella del paragrafo 6.2).

- 1** Premere il tasto “T”.
- 2** Entro 30 secondi digitare la com-

binazione desiderata (minimo 1, massimo 9 cifre). **3** Premere 1 volta il tasto ▲ e 1 volta il tasto ▼. Se la procedura è stata eseguita correttamente, la tastiera emette 3 toni acustici.

**6.2 (Easy) Programmare DUE combinazioni diverse: una da abbinare al tasto ▲ e un'altra da abbinare al tasto ▼** (questa procedura è alternativa a quella del paragrafo 6.1).

**1** Premere il tasto "T". **2** Entro 30 secondi digitare la **PRI-MA combinazione** desiderata (minimo 1, massimo 9 cifre). **3** Premere 2 volte il tasto ▲. Se la procedura è stata eseguita correttamente, la tastiera emette 3 toni acustici. **4** Attendere 5 secondi. **5** Premere il tasto "T". **6** Entro 30 secondi digitare la **SECONDA combinazione** desiderata (minimo 1, massimo 9 cifre). **7** Premere 2 volte il tasto ▼. Se la procedura è stata eseguita correttamente, la tastiera emette 3 toni acustici.

**IMPORTANTE** – Ulteriori funzioni programmabili in modalità "Easy" sono riportate nel capitolo 8.

## 7 - PROCEDURE PER PROGRAMMARE IL DISPOSITIVO IN MODO "PROFESSIONAL"

**7.1 (Professional) Programmare una combinazione da abbinare al tasto ▲** (cifra di riferimento: 1).

**1** Digitare la password di programmazione. – Premere il tasto ▼ per confermare. **2** **Digitare la cifra "1"**. – Premere il tasto ▼ per confermare. **3** Digitare la combinazione desiderata.

– Premere il tasto ▼ per confermare. **4** Digitare di nuovo la stessa combinazione. – Premere il tasto ▼ per confermare.

**7.2 (Professional) Programmare una combinazione da abbinare al tasto ▼** (cifra di riferimento: 2).

**1** Digitare la password di programmazione. – Premere il tasto ▼ per confermare. **2** **Digitare la cifra "2"**. – Premere il tasto ▼ per confermare. **3** Digitare la combinazione desiderata. – Premere il tasto ▼ per confermare. **4** Digitare di nuovo la stessa combinazione. – Premere il tasto ▼ per confermare.

**7.3 (Professional) Programmare una combinazione da abbinare ai tasti ▲ e ▼** (cifre di riferimento: 1-2).

**1** Digitare la password di programmazione. – Premere il tasto ▼ per confermare. **2** **Digitare le cifre "1-2"**. – Premere il tasto ▼ per confermare. **3** Digitare la combinazione desiderata. – Premere il tasto ▼ per confermare. **4** Digitare di nuovo la stessa combinazione. – Premere il tasto ▼ per confermare.

**7.4 (Professional) Cambiare la Password per la programmazione Professional** (cifra di riferimento: 3).

La password può essere modificata ogni volta che lo si desidera (quella impostata in fabbrica è: **0-3-3-3-3-3**). Per poter effettuare la modifica è necessario conoscere l'ultima password valida.

**1** Digitare la password di programmazione. – Premere il tasto

▼ per confermare. **2** **Digitare la cifra “3”**. – Premere il tasto ▼ per confermare. **3** Digitare una **nuova password** per la programmazione “Professional”, utilizzando sette cifre scelte in modo personale. – Premere il tasto ▼ per confermare. **4** Digitare di nuovo la stessa password (quella appena creata). – Premere il tasto ▼ per confermare.

---

### **7.5 (Professional) Cancellare UNA combinazione abbinata al tasto ▲** (cifra di riferimento: 4).

**1** Digitare la password di programmazione. – Premere il tasto ▼ per confermare. **2** **Digitare la cifra “4”**. – Premere il tasto ▼ per confermare. **3** Digitare la combinazione che si desidera cancellare, scelta tra quelle abbinate al tasto ▲. – Premere il tasto ▼ per confermare. **4** Digitare di nuovo la stessa combinazione da cancellare. – Premere il tasto ▼ per confermare.

---

### **7.6 (Professional) Cancellare UNA combinazione abbinata al tasto ▼** (cifra di riferimento: 5).

**1** Digitare la password di programmazione. – Premere il tasto ▼ per confermare. **2** **Digitare la cifra “5”**. – Premere il tasto ▼ per confermare. **3** Digitare la combinazione che si desidera cancellare, scelta tra quelle abbinate al tasto ▼. – Premere il tasto ▼ per confermare. **4** Digitare di nuovo la stessa combinazione da cancellare. – Premere il tasto ▼ per confermare.

---

### **7.7 (Professional) Cancellare UNA combinazione abbinata ai tasti ▲ e ▼** (cifre di riferimento: 4-5).

**1** Digitare la password di programmazione. – Premere il ta-

sto ▼ per confermare. **2** **Digitare le cifre “4-5”**. – Premere il tasto ▼ per confermare. **3** Digitare la combinazione che si desidera cancellare, scelta tra quelle abbinate ai tasti ▲ e ▼. – Premere il tasto ▼ per confermare. **4** Digitare di nuovo la stessa combinazione da cancellare. – Premere il tasto ▼ per confermare.

---

### **7.8 (Professional) Contare il numero di combinazioni valide abbinate al tasto ▲** (cifra di riferimento: 6).

**1** Digitare la password di programmazione. – Premere il tasto ▼ per confermare. **2** **Digitare la cifra “6”**. – Premere il tasto ▼ per confermare. **3** Quindi, per ottenere il numero di combinazioni valide, abbinate al tasto ▲, contare le sequenze dei toni acustici emessi dal dispositivo e leggerne il significato nella **Tabella 4**.

**Nota** – Per conoscere la quantità totale delle combinazioni relative al tasto ▲, sommare anche le combinazioni abbinate ad entrambi i tasti ▲ e ▼, calcolate con la procedura del paragrafo 7.10.

---

### **7.9 (Professional) Contare il numero di combinazioni valide abbinate al tasto ▼** (cifra di riferimento: 7).

**1** Digitare la password di programmazione. – Premere il tasto ▼ per confermare. **2** **Digitare la cifra “7”**. – Premere il tasto ▼ per confermare. **3** Quindi, per ottenere il numero di combinazioni valide, abbinate al tasto ▼, contare le sequenze

dei toni acustici emessi dal dispositivo e leggerne il significato nella **Tabella 4**.

**Nota** – Per conoscere la quantità totale delle combinazioni relative al tasto ▼, sommare anche le combinazioni abbinate ad entrambi i tasti ▲ e ▼, calcolate con la procedura del paragrafo 7.10.

### 7.10 (Professional) **Contare il numero di combinazioni valide abbinate ai tasti ▲ e ▼** (cifre di riferimento: 6-7).

**1** Digitare la password di programmazione. – Premere il tasto ▼ per confermare. **2** **Digitare le cifre “6-7”**. – Premere il tasto ▼ per confermare. **3** Quindi, per ottenere il numero di combinazioni valide, abbinate ai tasti ▲ e ▼, contare le

#### **TABELLA 4** - Conteggio delle combinazioni memorizzate

Le sequenze di toni acustici vengono emesse nell'ordine mostrato: centinaia, decine, unità.

<b>3 toni</b>	<b>1 centinaio</b> (es.: 2 sequenze di 3 toni = 200 combinazioni)
<b>2 toni</b>	<b>1 decina</b> (es.: 3 sequenze di 2 toni = 30 combinazioni)
<b>1 tono</b>	<b>1 unità</b> (es.: 5 sequenze di 1 tono = 5 combinazioni)
<b>1 tono</b> (10 sequenze)	cifra “zero”

sequenze dei toni acustici emessi dal dispositivo e leggerne il significato nella **Tabella 4**.

### **DISATTIVAZIONE E RIATTIVAZIONE DELLE COMBINAZIONI**

Questa funzione permette di disattivare, o di attivare di nuovo, tutte le combinazioni che terminano con un determinato numero. La disattivazione non cancella le combinazioni dalla memoria. • Le procedure 7.11 e 7.12 possono essere ripetute, coinvolgendo ogni volta un gruppo di combinazioni con numero finale differente.

### 7.11 (Professional) **Disattivare tutte le combinazioni che terminano con un determinato numero** (cifra di riferimento: 8).

**1** Digitare la password di programmazione. – Premere il tasto ▼ per confermare. **2** **Digitare la cifra “8”**. – Premere il tasto ▼ per confermare. **3** Digitare l'ultimo numero delle combinazioni che si desidera disattivare. – Premere il tasto ▼ per confermare. **4** Digitare di nuovo l'ultimo numero delle combinazioni che si desidera disattivare. – Premere il tasto ▼ per confermare. Se la procedura è stata eseguita correttamente, la tastiera emette 3 toni acustici.

### 7.12 (Professional) **Riattivare tutte le combinazioni che terminano con un determinato numero** (cifra di riferimento: 9).

**1** Digitare la password di programmazione. – Premere il tasto ▼ per confermare. **2** **Digitare la cifra “9”**. – Premere il tasto ▼ per confermare. **3** Digitare l’ultimo numero delle combinazioni che si desidera riattivare. – Premere il tasto ▼ per confermare. **4** Digitare di nuovo l’ultimo numero delle combinazioni che si desidera riattivare. – Premere il tasto ▼ per confermare. Se la procedura è stata eseguita correttamente, la tastiera emette 3 toni acustici.

---

### **7.13 (Professional) Programmare la quantità di volte che si desidera usare una combinazione** (cifre di riferimento: 1-0).

Tutte le combinazioni appena create hanno come impostazione di fabbrica l’**uso illimitato**. Questa procedura permette invece di impostare un limite desiderato all’uso di una combinazione: il numero massimo di volte è 999; valori superiori impostano l’uso illimitato della combinazione. In seguito, ogni volta che la combinazione verrà usata il sistema scalerà il proprio contatore e, quando questo arriverà a zero, non sarà più possibile utilizzare la combinazione.

**1** Digitare la password di programmazione. – Premere il tasto ▼ per confermare. **2** **Digitare le cifre “1-0”**. – Premere il tasto ▼ per confermare. **3** Digitare la combinazione di cui si desidera limitarne l’uso. – Premere il tasto ▼ per confermare. **4** Digitare di nuovo la stessa combinazione. – Premere il tasto ▼ per confermare. **5** Digitare il numero di volte che si desidera usare la combinazione (valore massimo, 999). – Premere il tasto ▼ per confermare. Se la procedura è stata eseguita correttamente, la tastiera emette 3 toni acustici.

---

### **7.14 (Professional) Cancellare tutta la memoria programmata in modalità “Professional”, quando SI CONOSCE la password di programmazione** (cifra di riferimento: 0).

**1** Digitare la password di programmazione. – Premere il tasto ▼ per confermare. **2** **Digitare la cifra “0”**. – Premere il tasto ▼ per confermare. **3** **Digitare di nuovo la cifra “0”**. – Premere il tasto ▼ per confermare. **4** **Digitare ancora una volta la cifra “0”**. – Premere il tasto ▼ per confermare. A questo punto il dispositivo emette 3 toni acustici a cui seguono 5 lampeggi del Led “L2”. **5** Infine, eseguire di nuovo la procedura per “l’apprendimento dei dispositivi collegati alla centrale”, facendo riferimento al manuale della centrale.

Al termine della procedura sarà necessario programmare di nuovo il dispositivo. **Nota** – all’inizio della nuova programmazione sarà possibile scegliere di nuovo la modalità che si desidera adottare per riprogrammare il dispositivo (“Easy” o “Professional”).

.....  
**IMPORTANTE** – Ulteriori funzioni programmabili in modalità “Professional” sono riportate nel capitolo 8.

---

## **8 - APPROFONDIMENTI – PROCEDURE COMUNI ALLE DUE MODALITÀ DI PROGRAMMAZIONE, “EASY” E “PROFESSIONAL”**

---

### **8.1 - Cambiare il comando associato al tasto ▲ oppure al tasto ▼**

Questa funzione permette di cambiare il comando associato al tasto ▲ o al tasto ▼. Il nuovo comando desiderato deve essere scelto nella colonna "Comando" della **Tabella 5**. **Attenzione!** – Alcune centrali potrebbero avere dei comandi diversi da quelli riportati nella Tabella 5.

**1** Digitare una combinazione valida per il tasto di cui si desidera cambiare il comando. **2** Confermare la password premendo il tasto (▲ o ▼) a cui questa è associata: il Led "L1" emette dei lampeggi seguiti da una pausa in funzione del comando attualmente impostato (vedere la **Tabella 5**). **3** Premere più volte il tasto "T" per scegliere il nuovo comando desiderato (il Led "L1" inizia a lampeggiare): ad ogni pressione del tasto il sistema seleziona il comando successivo, elencato nella tabella, e mantiene aperta la programmazione per altri 10 secondi. Se si lascia trascorrere questo tempo il Led "L1" si spegne e il sistema riconferma il comando selezionato precedentemente. **4** Infine premere il tasto premetuto prima, al punto 02, per confermare il nuovo comando scelto.

## 8.2 - **Bloccare / sbloccare l'automazione**

Questa funzione permette di inviare, tramite la tastiera, il comando per "bloccare" o per "sbloccare" l'automazione.

**1** Premere il tasto ▲: la tastiera segnala l'errore di "combinazione sbagliata". **2** Entro 10 secondi: • per bloccare l'automazione = digitare "0-0". • per sbloccare l'automazione = digitare "1-1". **3** Entro 10 secondi digitare una qualsiasi combinazione valida. **4** Premere il tasto ▲ per confermare l'azione scelta al punto 02. Se la procedura è stata eseguita correttamente, la tastiera emette 3 toni acustici e il Led "L2" indica lo stato di funzionamento (vedere la **Tabella 6**).

**TABELLA 5 - Comandi associabili al tasto ▲ o al tasto ▼**

Segnalazione Led "L1"	Comando
1 lampeggio + pausa	<b>PASSO-PASSO</b> (associato in fabbrica al tasto ▲)
2 lampeggi + pausa	<b>APERTURA</b>
3 lampeggi + pausa	<b>CHIUSURA</b>
4 lampeggi + pausa	<b>APRI PARZIALE</b> (associato in fabbrica al tasto ▼)
5 lampeggi + pausa	<b>STOP</b>
6 lampeggi + pausa	<b>LUCE DI CORTESIA</b>

## 8.3 - **Cancellare tutta la memoria**

**1** Premere e mantenere premuto il tasto "T": il Led "L1" resta acceso; quindi attendere che effettui 3 lampeggi e rilasciare il tasto "T" durante il terzo lampeggio. **2** A questo punto il Led "L1" emette una serie di impulsi luminosi e, al termine, emette 3 toni acustici a cui seguono 5 lampeggi del Led sul frontale. **3** Infine, eseguire di nuovo la procedura per "l'apprendimento dei dispositivi collegati alla centrale", facendo riferimento al manuale della centrale.

Al termine della procedura sarà necessario programmare di nuovo il dispositivo. **Nota** – all'inizio della nuova programmazione sarà possibile scegliere di nuovo la modalità che si desidera adottare per riprogrammare il dispositivo ("Easy" o "Professional").

## 9 - AVVERTENZE PER L'USO DEL DISPOSITIVO

● L'uso del dispositivo si basa su delle combinazioni numeriche che l'utente deve conoscere e digitare sulla tastiera per poter inviare i comandi all'automazione. ● Per conservare la sicurezza del dispositivo si consiglia di rendere note le combinazioni programmate (e i relativi comandi associati) soltanto agli utenti autorizzati all'uso dell'automazione. ● Dopo aver digitato la combinazione è possibile inviare il comando premendo il tasto di comando (▲ o ▼) abbinato a quella combinazione. ● Se la combinazione digitata è errata, il dispositivo emette un segnale acustico. **Importante!** – Al terzo inserimento consecutivo di una combinazione errata il sistema blocca il funzionamento del dispositivo per 60 secondi. Pertanto, se si commette un errore durante la digitazione di una combinazione, si consiglia di sospendere l'operazione, di attendere 10 secondi e di immettere nuovamente la combinazione, partendo dalla prima cifra. ● Durante la digitazione di una combinazione, tra l'immissione di una cifra e quella successiva c'è un tempo a disposizione di 10 secondi; scaduto tale tempo sarà necessario immettere di nuovo la combinazione, partendo dalla prima cifra. ● Durante il funzionamento dell'automazione il Led "L2" emette delle segnalazioni luminose. Consultare la **Tabella 6** per capirne i significati.

## 10 - COLLAUDO

Al termine della programmazione è necessario verificare il corretto funzionamento del dispositivo, nel modo seguente.

**A** Verificare che sia stato rispettato quanto previsto nel capitolo 1 - Avvertenze e precauzioni generali. **B** Leggere il

capitolo 9 per l'uso corretto del dispositivo. **C** Digitare sulla tastiera una combinazione valida e premere il tasto comando associato a questa combinazione. Quindi, osservare... ● la segnalazione del Led "L1" e interpretarla con la **Tabella 5**; ● la segnalazione del Led "L2" e interpretarla con la **Tabella 6**; ● il comando eseguito dall'automazione. Se le osservazioni e le interpretazioni appena eseguite sono in conflitto tra loro, leggere il capitolo 11 - "Cosa fare se... risoluzione dei proble-

**TABELLA 6** - Segnalazioni del Led "L2"

Segnalazione Led "L2"	Significato
<b>ROSSO acceso fisso</b>	Cancello chiuso e automazione sbloccata
<b>ROSSO acceso fisso</b>	Cancello in fase di chiusura
<b>ROSSO acceso fisso</b>	Cancello ne chiuso ne aperto e automazione sbloccata
<b>VERDE acceso fisso</b>	Cancello in fase di apertura
<b>VERDE acceso fisso</b>	Cancello ne chiuso ne aperto e automazione bloccata
<b>VERDE acceso fisso</b>	Cancello aperto e automazione bloccata
<b>VERDE acceso fisso</b>	Cancello chiuso e automazione bloccata
<b>ROSSO (3 lampeggi + 1 pausa)</b>	Dispositivo non sincronizzato sul "BlueBus"
<b>ROSSO (2 lampeggi + 1 pausa)</b>	Dispositivo non indirizzato (cioè senza jumper)

mi". **D** Eseguire la verifica descritta al punto precedente, per ciascuna delle altre combinazioni memorizzate.

## 11 - COSA FARE SE... (risoluzione dei problemi)

- **Il Led "L2" emette 2 lampeggi + pausa, in colore rosso.** → Controllare sul retro della tastiera che il jumper sia inserito correttamente.
- **(Presenza di più tastiere collegate a una stessa centrale di comando). Dopo l'invio di un comando, se questo non viene eseguito e il Led "L2" emette 3 lampeggi + pausa.** → Accertarsi che ogni tastiera abbia il jumper inserito in una posizione diversa da quelle utilizzate dagli altri dispositivi di comando "BlueBus" presenti nell'installazione.
- **Digitando i tasti la tastiera non emette nessuna segnalazione acustica.** → Controllare che la memoria BM sia inserita correttamente.
- **Dopo l'invio di un comando, se il Led "L1" lampeggia indicando che il comando è stato, ma in realtà la centrale di comando non lo ha eseguito.** → Controllare che la procedura di apprendimento del dispositivo da parte della Centrale, sia stata eseguita correttamente.
- **Se la tastiera non si accende.** → Controllare con uno strumento adeguato che la tensione (vdc) sia presente nella rete "BlueBus".
- **Dopo aver dato alimentazione la tastiera si accende ma i comandi non vengono eseguiti.** → Verificare che la centrale di comando a cui la tastiera è collegata, supporti il collegamento "BlueBus" per i dispositivi di comando.

- **Se una combinazione viene digitata in modo errato per più di 3 volte, la tastiera si blocca ed emette delle segnalazioni acustiche con intervalli regolari.** → La tastiera si sblocca automaticamente dopo 1 minuto.
- **Se l'automazione non risponde all'invio di un comando e il Led "L2" è acceso con luce fissa di colore verde.** → Potrebbe essere stato inviato erroneamente un comando di blocco dell'automazione. In questo caso, sbloccare l'automazione eseguendo la procedura del paragrafo 8.2.2.

## 12 - MANUTENZIONE DEL PRODOTTO

Il prodotto non necessita di particolari manutenzioni; si consiglia la pulizia delle superfici esterne, con un panno morbido e leggermente inumidito di acqua. Non utilizzare sostanze aggressive o abbrasive, come detersivi, solventi e similari.

## 13 - SMALTIMENTO DEL PRODOTTO

Questo prodotto è parte integrante dell'automazione, e dunque, deve essere smaltito insieme con essa. • Come per le operazioni d'installazione, anche al termine della vita di questo prodotto, le operazioni di smantellamento devono essere eseguite da personale qualificato. • Questo prodotto è costituito da vari tipi di materiali: alcuni possono essere riciclati, altri devono essere smaltiti. Informatevi sui sistemi di riciclaggio o smaltimento previsti dai regolamenti vigenti sul vostro territorio, per questa categoria di prodotto. **Attenzione!** – alcune parti del prodotto possono contenere sostanze inquinanti o pericolose che, se disperse nell'ambiente, potrebbero provo-



care effetti dannosi sull'ambiente stesso e sulla salute umana.

• Come indicato dal simbolo a lato, è vietato gettare questo prodotto nei rifiuti domestici. Eseguire quindi la "raccolta separata" per lo smaltimento, secondo i metodi previsti dai regolamenti vigenti sul vostro territorio, oppure riconsegnare il prodotto al venditore nel momento dell'acquisto di un nuovo prodotto equivalente. **Attenzione!** – i regolamenti vigenti a livello locale possono prevedere pesanti sanzioni in caso di smaltimento abusivo di questo prodotto. • Il materiale dell'imballo del prodotto deve essere smaltito nel pieno rispetto della normativa locale.



## CARATTERISTICHE TECNICHE

**AVVERTENZE:** • Tutte le caratteristiche tecniche riportate, sono riferite ad una temperatura ambientale di 20°C ( $\pm 5^\circ\text{C}$ ). • Nice S.p.a. si riserva il diritto di apportare modifiche al prodotto in qualsiasi momento lo riterrà necessario, mantenendone comunque la stessa funzionalità e destinazione d'uso.

● **Tipologia:** dispositivo di comando a combinazione. ● **Tecnologia adottata:** protocollo "BlueBus" (standard di Nice Spa) per il collegamento e la comunicazione via cavo bus. ● **Retroilluminazione dei tasti:** colore rosso. ● **Lunghezza del cavo di collegamento:** fare riferimento al manuale istruzioni della Centrale di comando. ● **Alimentazione:** tramite il sistema "BlueBus" di Nice Spa. ● **Corrente assorbita:** 1,5 unità "BlueBus". ● **Capacità di memoria:** 255 combinazioni su scheda removibile BM1000 (il numero massimo di combinazioni memorizzabili varia in base al modello di scheda installata). ● **Isolamento:** classe III. ● **Grado di protezione del contenitore:** EDSB = IP 44; EDSIB = IP 54. ● **Temperatura di esercizio:** da -20 °C a +55 °C. ● **Utilizzo in atmosfera acida, salina o potenzialmente esplosiva:** No. ● **Montaggio:** EDSB - su una parete verticale, o sulla colonna PPK, o sulla colonna PPH2 (con l'adattatore EKA01); EDSIB - incassato in una parete verticale. Con l'accessorio EKA02 installabile anche con un contenitore da incasso non prodotto da Nice. ● **Dimensioni (mm):** EDSB = 70 x 70 x 27; EDSIB = 70 x 70 x 78 (13 mm parte esterna, quando il prodotto è incassato). ● **Peso (g):** EDSB = 245; EDSIB = 205.

## 1 - AVERTISSEMENTS ET PRÉCAUTIONS GÉNÉRALES

**ATTENTION!** ● Instructions importantes pour la sécurité.

● Pour assurer la sécurité des personnes, il importe de respecter ces consignes. Il faut donc lire attentivement la notice avant de commencer à travailler. ● Conservez ces instructions.

● Avant de commencer l'installation, s'assurer que le produit est adapté au type d'utilisation désirée (lire les « Limites d'utilisation » et les « Caractéristiques techniques du produit »). Dans le cas contraire, NE PAS procéder à son installation. ● Pendant l'installation, manipuler avec soin le produit en évitant les écrasements, les chocs, les chutes ou tout contact avec des liquides de quelque nature que ce soit. Ne pas mettre le produit près de sources de chaleur, ni l'exposer à des flammes libres. Toutes ces actions pourraient l'endommager et créer des dysfonctionnements ou des situations de danger. Si cela se produit, suspendre immédiatement l'installation et s'adresser au service après-vente Nice. ● Aucune modification du produit ne peut être effectuée. Des opérations non autorisées ne peuvent que provoquer des problèmes de fonctionnement. Le constructeur décline toute responsabilité pour les dommages dérivant de modifications arbitraires au produit. ● Le produit n'est pas destiné à être utilisé par des personnes (notamment des enfants) dont les capacités physiques, sensorielles ou mentales sont réduites, ou manquant d'expérience ou de connaissance. ● Le produit ne peut être considéré comme


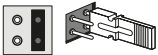
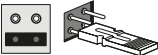
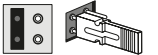
un moyen de protection absolu contre l'intrusion. Si vous souhaitez vous protéger plus efficacement, il est nécessaire d'ajouter d'autres dispositifs de sécurité à l'automatisme.

## 2 - DESCRIPTION DU PRODUIT ET APPLICATION

Le présent dispositif est un **sélecteur à combinaison numérique** qui fait partie de la gamme **ERA**. Il est conçu pour la commande d'automatismes de portes, portails, portes de garage, portes sectionnelles et autres produits similaires ; il permet de vérifier et de permettre l'accès à des lieux ou à des services, uniquement à des personnes autorisées. Le dispositif ne fonctionne qu'avec les produits Nice équipés de technologie « Blue-Bus » qui supporte les dispositifs de commande. **ATTENTION!**

- **Toute autre utilisation différente de celle décrite et dans des conditions ambiantes différentes de celles indiquées dans ce manuel doit être considérée comme impropre et interdite!** ● Le dispositif communique avec la logique de commande et les autres dispositifs présents, à l'aide du système «

TABLEAU 1 - Adressage des dispositifs installés

Adresse - 1	Adresse - 2
	
Adresse - 3	Adresse - 4
	

BlueBus ». Ce système prévoit des connexions « en parallèle », sans aucune polarité, effectuées avec 2 conducteurs sur lesquels transitent aussi bien l'alimentation électrique que les signaux de communication. Tout dispositif connecté doit être adressé avec insertion d'un cavalier, et doit avoir une adresse autre que celles des autres dispositifs connectés (**Tableau 1**) afin qu'il puisse être reconnu par la logique de commande pendant la procédure de « reconnaissance des dispositifs connectés ». Pour assurer un maximum de sécurité contre toute tentative frauduleuse visant à remplacer un dispositif, pendant la procédure de reconnaissance la logique de commande crée un autre lien encodé avec tout dispositif présent, pour le lier à soi. D'autres informations sur le système « BlueBus » sont disponibles dans la notice d'instructions de la logique de commande. ● Le dispositif autorise la commande de l'automatisme uniquement si l'utilisateur connaît le code confidentiel associé à la commande qu'il désire envoyer. La carte mémoire installée (mod. BM1000) permet de mémoriser jusqu'à 255 codes. Les associations entre codes confidentiels et commandes sont mémorisés pendant la phase de programmation en utilisant les procédures reportées dans ce manuel. Il est autrement possible de retirer la carte mémoire et de la programmer directement à l'aide des unités de programmation Nice (O-BOX ou MOU).

### 3 - LIMITES D'UTILISATION DU PRODUIT

● Le produit ne peut être connecté qu'à une logique de commande Nice Spa, équipée de technologie « BlueBus » qui supporte les dispositifs de commande. ● Il est possible de connecter à chaque unité « BlueBus » jusqu'à 4 dispositifs parmi ceux qui sont indiqués ci-après : ETPB (lecteur de cartes à transpondeur), EDSB, EDSIB (claviers numériques à

combinaison). ● Avant de procéder à l'installation, lire le chapitre « Caractéristiques techniques du produit » pour s'assurer que les conditions d'utilisation du produit rentrent bien dans les valeurs limite établies par le fabricant.

## 4 - INSTALLATION ET BRANCHEMENTS ÉLECTRIQUES

### — Recommandations d'installation —

● Le modèle EDSB doit être installé sur un mur vertical, tandis que le modèle EDSIB doit être encastré dans un mur vertical. ● Pour simplifier l'entrée des codes et des commandes, placer le produit à environ 1,5 m du sol. ● Le lieu, la surface et l'emplacement choisis pour l'installation doivent être compatibles avec l'encombrement total du produit, ils doivent assurer un accès, une utilisation et un entretien aisés du produit, ils doivent assurer une bonne protection du produit et le protéger contre tout heurt accidentel, ils doivent garantir une fixation stable du produit.

### — Phases d'installation —

**1** Lire la notice d'instructions de la logique de commande et repérer les caractéristiques techniques des câbles électriques devant être utilisés. **2** Lire les instructions au début du chapitre 4 de manière à identifier la position de fixation des dispositifs prévus. **3** Prévoir les tuyaux de protection des câbles électriques. **4** Fixer chaque dispositif prévu comme indiqué sur les **fig. 1, 2, 3, 4, 5** - (EDSB) / **1, 2, 3, 4** - (EDSIB). **5** **ATTENTION ! – Mettre hors tension avant d'effectuer les branchements.** Passer les câbles électriques dans les tuyaux de protection et connecter les dispositifs en parallèle, comme

illustré la **fig. 6** - (EDSB) / **5** - (EDSIB) : il n'est pas nécessaire de respecter la polarité. **6** A présent, s'il y a plusieurs dispositifs présents dans l'installation (jusqu'à 4 dispositifs, en tenant compte aussi d'éventuels lecteurs de cartes à transpondeur, ETPB) il faut changer la position du cavalier dans chacun d'eux (**fig. 7** - EDSB / **6** - EDSIB), en choisissant une nouvelle adresse dans le **Tableau 1**. **Attention !** – Chaque dispositif doit avoir une adresse autre que celles utilisées pour les autres dispositifs.

**7** Mettre l'unité de commande sous tension : la led « **L2** » (**fig. 8** - EDSB / **7** - EDSIB) émet des clignotements pour indiquer le type et l'état de la mémoire BM installée dans le dispositif (consulter le **Tableau 2** pour la signification des clignotements). Ces derniers sont éventuellement suivis de 5 clignotements lents en cas de mémoire vide. **8** Repérer dans la notice d'instructions de la logique de commande la procédure pour « la reconnaissance des dispositifs connectés à la logique » ; puis l'exécuter (ceci permettra à la logique de commande de reconnaître individuellement chaque dispositif « BlueBus » connecté).

**9** Procéder à la **Programmation** du dispositif en se référant aux chapitres 5, 6, 7, 8. **10** A la fin de la programmation, lire le chapitre 9 sur l'utilisation du dispositif. Exécuter ensuite la procédure d'**essai** comme illustré au chapitre 10, pour s'assurer du bon fonctionnement des dispositifs installés. **11** Terminer enfin l'installation comme illustré **fig. 9, 10** - (EDSB) / **8, 9** - (EDSIB).

## 5 - RECOMMANDATIONS POUR LA PROGRAMMATION

### 5.1 - Les codes confidentiels et leur association aux commandes

- Un code confidentiel est une « clé d'accès » qui doit être

programmé selon les besoins et les exigences de l'utilisateur. Il peut être formé **d'un ou de plusieurs chiffres, jusqu'à neuf chiffres maximum**, et chaque chiffre peut adopter une valeur numérique désirée, de « **0** » à « **9** ». ● Un code confidentiel peut être associé alternativement à une, ou bien, aux deux touches de commande (▲ et ▼), selon la procédure choisie pour le programmer. — **Si le code confidentiel est associé à l'une des deux touches de commande (▲ ou ▼)**, pendant l'utilisation du dispositif, après l'introduction du code confidentiel, n'appuyer que sur la touche de commande associée au code confidentiel (la pression sur l'autre touche ne produit aucun effet). — **Si le code confidentiel est associé aux deux touches de commande (▲ et ▼)**, pendant l'utilisation du dispositif, après l'introduction du code confidentiel, on peut appuyer sur l'une ou sur l'autre touche : cette moda-

**TABLEAU 2** - Signalisations de la Led « **L2** » concernant la mémoire BM

Clignotements de la Led « <b>L2</b> »	Signification
<b>1 clign. en rouge</b>	BM60
<b>2 clign. en rouge</b>	BM250
<b>3 clign. en rouge</b>	BM1000
<b>4 clign. en rouge</b>	Indique que des codes non valides ont été mémorisés
<b>5 clign. en rouge</b>	Erreur pendant la lecture de la mémoire
<b>5 clign. (lents) en rouge</b>	Mémoire vide

lité permet d'envoyer deux commandes différentes en utilisant le même code confidentiel. ● Le dispositif quitte l'usine avec la touche ▲ associée à la commande « Pas à Pas », et avec la touche ▼ associée à la commande « Ouverture partielle ». Il est possible de changer ces commandes en utilisant les procédures 8.1.1 et 8.1.2. ● Pendant la phase de programmation, le dispositif émet des signaux sonores pour signaler le fonctionnement normal ou une erreur. Consulter le **Tableau 3** pour savoir à quoi correspondent les signaux sonores.

## 5.2 - Subdivision des procédures de programmation

● Toutes les procédures de programmation contenues dans la notice sont divisées en deux sections : ● **programmation en mode « EASY »** ● **programmation en mode « PROFESSIONAL »**. ● **Qu'est-ce que le mode « EASY »** : cette

TABLEAU 3 - Signaux sonores pendant la programmation	
Signal sonore	Signification
1 bip	Signale une normale frappe de touche.
2 bips rapprochés + 1 bip	Signale la saisie d'un code non valide.
3 bips	Signale la fin et l'aboutissement de la procédure de programmation.
1 bip à cadence régulière	Après avoir entré 3 fois le mot de passe, de façon incorrecte, signale que le clavier reste verrouillé pendant 1 minute.
Série de bips	Signale qu'une erreur a été commise et que la procédure a échoué.

modalité permet de ne programmer qu'un code confidentiel à associer aux touches ▲ et ▼. Il est autrement possible de programmer deux codes confidentiels différents : un à associer à la touche ▲ et l'autre à associer à la touche ▼. En mode « Easy » on peut aussi effectuer d'autres fonctions indiquées dans le chapitre 8. ● **Qu'est-ce que le mode « PROFESSIONAL »** : cette modalité permet de programmer jusqu'à 255 codes confidentiels (le nombre peut varier selon la carte mémoire installée). Pour effectuer les procédures dans cette modalité, il faut entrer un « **mot de passe pour la programmation Professional** », composé de **7 chiffres** (le mot de passe configuré en usine est : **0-3-3-3-3-3-3**). **ATTENTION ! – Ne pas oublier le mot de passe de programmation autrement il faudra effacer toute la mémoire et recommencer la programmation du début.** En mode « Professional » on peut aussi effectuer d'autres fonctions indiquées dans le chapitre 8. ● **Les deux types de programmation « Easy » et « Professional » sont alternatives entre elles** : c'est à dire que le choix d'une d'entre elles doit être effectué avant de démarrer la phase de programmation, autrement dit quand la mémoire du dispositif est encore vide. Par la suite, pour changer la modalité de programmation (de « Easy » à « Professional » ou vice versa) il faudra auparavant effacer toute la mémoire du dispositif.

## 6 - PROCÉDURES DE PROGRAMMATION DU DISPOSITIF EN MODE « EASY »

**6.1 (Easy) Programmer UN code confidentiel à associer aux touches ▲ et ▼** (cette procédure est alternative à celle du paragraphe 6.2).

**1** Appuyer sur la touche « **T** ». **2** Dans les 30 secondes, entrer le code désiré (minimum 1, maximum 9 chiffres). **3** Appuyer 1 fois sur la touche ▲ et 1 fois sur la touche ▼. Si la procédure a été exécutée correctement, le clavier émet 3 signaux sonores.

---

**6.2 (Easy) Programmer DEUX codes différents : un à associer à la touche ▲ et un autre à associer à la touche ▼** (cette procédure est alternative à celle du paragraphe 6.1).

**1** Appuyer sur la touche « **T** ». **2** Dans les 30 secondes, entrer le **PREMIER code** désiré (minimum 1, maximum 9 chiffres). **3** Appuyer 2 fois sur la touche ▲. Si la procédure a été exécutée correctement, le clavier émet 3 signaux sonores. **4** Attendre 5 secondes. **5** Appuyer sur la touche « **T** ». **6** Dans les 30 secondes, entrer le **DEUXIÈME code** désiré (minimum 1, maximum 9 chiffres). **7** Appuyer 2 fois sur la touche ▼. Si la procédure a été exécutée correctement, le clavier émet 3 signaux sonores.

---

**IMPORTANT – D'autres fonctions programmables en mode « Easy » sont contenues dans le chapitre 8.**

## 7 - PROCÉDURES DE PROGRAMMATION DU DISPOSITIF EN MODE « PROFESSIONAL »

---

**7.1 (Professional) Programmer un code à associer à la touche ▲** (chiffre de référence : 1).

**1** Entrer le mot de passe de programmation. – Appuyer sur la touche ▼ pour confirmer. **2** **Entrer le chiffre « 1 »**. – Appuyer sur la touche ▼ pour confirmer. **3** Entrer le code désiré. – Appuyer sur la touche ▼ pour confirmer. **4** Entrer une nouvelle fois le même code. – Appuyer sur la touche ▼ pour confirmer.

---

**7.2 (Professional) Programmer un code à associer à la touche ▼** (chiffre de référence : 2).

**1** Entrer le mot de passe de programmation. – Appuyer sur la touche ▼ pour confirmer. **2** **Entrer le chiffre « 2 »**. – Appuyer sur la touche ▼ pour confirmer. **3** Entrer le code désiré. – Appuyer sur la touche ▼ pour confirmer. **4** Entrer une nouvelle fois le même code. – Appuyer sur la touche ▼ pour confirmer.

---

**7.3 (Professional) Programmer un code à associer aux touches ▲ et ▼** (chiffres de référence : 1-2).

**1** Entrer le mot de passe de programmation. – Appuyer sur la touche ▼ pour confirmer. **2** **Entrer les chiffres « 1-2 »**. – Appuyer sur la touche ▼ pour confirmer. **3** Entrer le code désiré. – Appuyer sur la touche ▼ pour confirmer. **4** Entrer une nouvelle fois le même code. – Appuyer sur la touche ▼ pour confirmer.

---

**7.4 (Professional) Changer le Mot de passe pour la programmation Professional** (chiffre de référence : 3).

Le mot de passe peut être modifié quand on le désire (celui configuré en usine est : **0-3-3-3-3-3-3**). Pour pouvoir procéder à toute modification, il faut connaître le dernier mot de passe valide.

**1** Entrer le mot de passe de programmation. – Appuyer sur la touche ▼ pour confirmer. **2** **Entrer le chiffre « 3 »**. – Appuyer sur la touche ▼ pour confirmer. **3** Entrer un **nouveau mot de passe** pour la programmation « Professional » en utilisant les sept chiffres choisis en mode personnel. – Appuyer sur la touche ▼ pour confirmer. **4** Entrer une nouvelle fois le même mot de passe (celui qui vient d'être créé). – Appuyer sur la touche ▼ pour confirmer.

---

### 7.5 (Professional) Effacer UN code associé à la touche ▲ (chiffre de référence : 4).

**1** Entrer le mot de passe de programmation. – Appuyer sur la touche ▼ pour confirmer. **2** **Entrer le chiffre « 4 »**. – Appuyer sur la touche ▼ pour confirmer. **3** Entrer le code qu'on veut effacer, choisi parmi ceux associés à la touche ▲. – Appuyer sur la touche ▼ pour confirmer. **4** Entrer une nouvelle fois le même code à effacer. – Appuyer sur la touche ▼ pour confirmer.

---

### 7.6 (Professional) Effacer UN code associé à la touche ▼ (chiffre de référence : 5).

**1** Entrer le mot de passe de programmation. – Appuyer sur la touche ▼ pour confirmer. **2** **Entrer le chiffre « 5 »**. – Appuyer sur la touche ▼ pour confirmer. **3** Entrer le code qu'on veut effacer, choisi parmi ceux associés à la touche ▼. – Appuyer sur la touche ▼ pour confirmer. **4** Entrer une nouvelle fois le même code à effacer. – Appuyer sur la touche ▼ pour confirmer.

---

### 7.7 (Professional) Programmer UN code à associer aux touches ▲ et ▼ (chiffres de référence : 4-5).

**1** Entrer le mot de passe de programmation. – Appuyer sur la touche ▼ pour confirmer. **2** **Entrer les chiffres « 4-5 »**. – Appuyer sur la touche ▼ pour confirmer. **3** Entrer le code qu'on veut effacer, choisi parmi ceux associés aux touches ▲ et ▼. – Appuyer sur la touche ▼ pour confirmer. **4** Entrer une nouvelle fois le même code à effacer. – Appuyer sur la touche ▼ pour confirmer.

---

### 7.8 (Professional) Compter le nombre de codes valides associés à la touche ▲ (chiffre de référence : 6).

**1** Entrer le mot de passe de programmation. – Appuyer sur la touche ▼ pour confirmer. **2** **Entrer le chiffre « 6 »**. – Appuyer sur la touche ▼ pour confirmer. **3** Donc, pour obtenir le nombre de codes valides, associés à la touche ▲, compter les séquences des signaux sonores émis par le dispositif et lire à quoi cela correspond dans le **Tableau 4**.

**Remarque** – Pour connaître le nombre total des codes correspondants à la touche ▲, ajouter aussi les codes associés aux deux touches ▲ et ▼, calculer en adoptant la procédure du paragraphe 7.10.

---

### 7.9 (Professional) Compter le nombre de codes valides associés à la touche ▼ (chiffre de référence : 7).

**1** Entrer le mot de passe de programmation. – Appuyer sur la touche ▼ pour confirmer. **2** **Entrer le chiffre « 7 »**. – Appuyer sur la touche ▼ pour confirmer. **3** Donc, pour obtenir le nombre de codes valides, associés à la touche ▼, compter

les séquences des signaux sonores émis par le dispositif et lire à quoi cela correspond dans le **Tableau 4**.

**Remarque** – Pour connaître le nombre total des codes correspondants à la touche ▼, ajouter aussi les codes associés aux deux touches ▲ et ▼, calculer en adoptant la procédure du paragraphe 7.10.

### 7.10 (Professional) Compter le nombre de codes valides associés aux touches ▲ et ▼ (chiffres de référence : 6-7).

**1** Entrer le mot de passe de programmation. – Appuyer sur la touche ▼ pour confirmer. **2** Entrer les chiffres « 6-7 ». – Appuyer sur la touche ▼ pour confirmer. **3** Donc, pour obtenir le nombre de codes valides, associés aux touches ▲ et ▼, compter les séquences des signaux sonores émis par

TABLEAU 4 - Décompte des codes mémorisés	
Les séquences des signaux acoustiques sont émises dans l'ordre indiqué : centaines, dizaines, unité.	
<b>3 bips</b>	<b>1 centaine</b> (par ex. : 2 séquences de 3 bips = 200 codes)
<b>2 bips</b>	<b>1 dizaine</b> (par ex. : 3 séquences de 2 bips = 30 codes)
<b>1 bip</b>	<b>1 unité</b> (par ex. : 5 séquences de 1 bip = 5 codes)
<b>1 bip</b> (10 séquences)	chiffre « <b>zéro</b> »

le dispositif et lire à quoi cela correspond dans le **Tableau 4**.

### DÉSACTIVATION ET ACTIVATION DES CODES CONFIDENTIELS

Cette fonction permet de désactiver, ou d'activer à nouveau, tous les codes qui finissent par un chiffre déterminé. La désactivation n'efface pas les codes de la mémoire. • Les procédures 7.11 et 7.12 peuvent être répétées, en choisissant à chaque fois un groupe de codes avec chiffre final différent.

### 7.11 (Professional) Désactiver tous les codes qui finissent par un chiffre déterminé (chiffre de référence : 8).

**1** Entrer le mot de passe de programmation. – Appuyer sur la touche ▼ pour confirmer. **2** Entrer le chiffre « 8 ». – Appuyer sur la touche ▼ pour confirmer. **3** Entrer le dernier chiffre des codes qu'on souhaite désactiver. – Appuyer sur la touche ▼ pour confirmer. **4** Entrer une nouvelle fois le dernier chiffre des codes qu'on souhaite désactiver. – Appuyer sur la touche ▼ pour confirmer. Si la procédure a été exécutée correctement, le clavier émet 3 signaux sonores.

### 7.12 (Professional) Réactiver tous les codes qui finissent par un chiffre déterminé (chiffre de référence : 9).

**1** Entrer le mot de passe de programmation. – Appuyer sur la touche ▼ pour confirmer. **2** Entrer le chiffre « 9 ». – Ap-



puyer sur la touche ▼ pour confirmer. **3** Entrer le dernier chiffre des codes qu'on souhaite réactiver. – Appuyer sur la touche ▼ pour confirmer. **4** Entrer une nouvelle fois le dernier chiffre des codes qu'on souhaite réactiver. – Appuyer sur la touche ▼ pour confirmer. Si la procédure a été exécutée correctement, le clavier émet 3 signaux sonores.

### **7.13 (Professional) Programmer le nombre de fois qu'on souhaite utiliser un code** (chiffres de référence : 1-0).

Tous les codes à peine créés ont comme réglage d'usine une **utilisation illimitée**. Cette procédure permet par contre de sélectionner une limite à l'utilisation du code : le nombre maximum de fois est 999 ; des valeurs supérieures sélectionnent une utilisation illimitée du code. Par la suite, chaque fois que le code sera utilisé, le système mettra à jour son compteur et quand ce dernier arrivera à zéro, le code ne pourra plus être utilisé.

**1** Entrer le mot de passe de programmation. – Appuyer sur la touche ▼ pour confirmer. **2** **Entrer les chiffres « 1-0 »**. – Appuyer sur la touche ▼ pour confirmer. **3** Entrer le code dont on souhaite limiter l'utilisation. – Appuyer sur la touche ▼ pour confirmer. **4** Entrer une nouvelle fois le même code. – Appuyer sur la touche ▼ pour confirmer. **5** Entrer le nombre de fois qu'on souhaite utiliser le code (valeur maximum, 999). – Appuyer sur la touche ▼ pour confirmer. Si la procédure a été exécutée correctement, le clavier émet 3 signaux sonores.

### **7.14 (Professional) Effacer toute la mémoire en mode « Professional », quand ON CONNAIT le mot de passe de programmation** (chiffre de référence : 0).

**1** Entrer le mot de passe de programmation. – Appuyer sur la touche ▼ pour confirmer. **2** **Entrer le chiffre « 0 »**. – Appuyer sur la touche ▼ pour confirmer. **3** **Entrer une nouvelle fois le même chiffre « 0 »**. – Appuyer sur la touche ▼ pour confirmer. **4** **Entrer encore une fois le chiffre « 0 »**. – Appuyer sur la touche ▼ pour confirmer. Le dispositif émet alors 3 signaux sonores suivis de 5 clignotements de la Led « L2 ». **5** Effectuer à nouveau la procédure pour « l'apprentissage des dispositifs connectés à l'unité de commande » décrite dans le manuel de ladite unité.

Il faudra, au terme de la procédure, reprogrammer le dispositif. **Remarque** – Il sera possible, au lancement de la nouvelle programmation, de choisir à nouveau la modalité à adopter pour reprogrammer le dispositif (« Easy » ou « Professional »).

.....  
**IMPORTANT – D'autres fonctions programmables en mode « Professional » sont contenues dans le chapitre 8.**

## 8 - APPROFONDISSEMENTS – PROCÉDURES COMMUNES AUX DEUX MODALITÉS DE PROGRAMMATION, « EASY » ET « PROFESSIONAL »

### 8.1 - Changer la commande associée à la touche ▲ ou à la touche ▼

Cette fonction permet de changer la commande associée à la touche ▲ ou à la touche ▼. La nouvelle commande désirée doit être choisie dans la colonne « Commande » du **Tableau 5**. **Attention !** – Certaines logiques de commande pourraient avoir des commandes autres que celles figurant dans le Tableau 5.

**1** Entrer un code valide pour la touche dont on désire changer la commande. **2** Confirmer le mot de passe en appuyant sur la touche (▲ ou ▼) à laquelle il est associé : la Led « **L1** » émet des clignotements suivis d'une pause selon la commande actuellement sélectionnée (voir le **Tableau 5**). **3** Appuyer plusieurs fois sur la touche « **T** » pour choisir la nouvelle commande désirée (la Led « **L1** » commence à clignoter) : à chaque pression sur la touche le système sélectionne la commande suivante, énumérée dans le tableau, et garde la programmation ouverte pendant encore 10 secondes. Passé ce délai la Led « **L1** » s'éteint et le système reconfirme la commande sélectionnée précédemment. **4** Enfin appuyer sur la touche enfoncée auparavant, au point 02, pour confirmer la nouvelle commande choisie.

**TABLEAU 5** - Commandes associées à la touche ▲ ou à la touche ▼

Signalisation de la Led « <b>L1</b> »	Commande
1 clignotement + pause	<b>PAS À PAS</b> (associé en usine à la touche ▲)
2 clignotements + pause	<b>OUVERTURE</b>
3 clignotements + pause	<b>FERMETURE</b>
4 clignotements + pause	<b>OUVERTURE PARTIELLE</b> (associée en usine à la touche ▼)
5 clignotements + pause	<b>STOP</b>
6 clignotements + pause	<b>ÉCLAIRAGE AUTOMATIQUE</b>

### 8.2 - Verrouiller / déverrouiller l'automatisme

Cette fonction permet d'envoyer, au moyen du clavier, la commande pour « verrouiller » ou « déverrouiller » l'automatisme.

**1** Appuyer sur la touche ▲ : le clavier signale « erreur de code. **2** Dans les 10 secondes qui suivent : • pour verrouiller l'automatisme = entrer « **0-0** ». • pour déverrouiller l'automatisme = entrer « **1-1** ». **3** Dans les 10 secondes entrer un code quelconque valide. **4** Appuyer sur la touche ▲ pour confirmer l'action choisie au point 02. Si la procédure a été exécutée correctement, le clavier émet 3 signaux sonores et la

Led « **L2** » indique l'état de fonctionnement (voir **Tableau 6**).

### 8.3 - Effacer toute la mémoire

**1** Appuyer et garder enfoncée la touche « **T** » : la Led « **L1** » reste allumée ; attendre qu'elle clignote 3 fois et lâcher la touche « **T** » pendant le troisième clignotement. **2** A ce moment là, la Led « **L1** » émet une série d'impulsions lumineuses et, à la fin, elle émet 3 signaux sonores suivis de 5 clignotements de la Led sur la partie frontale. **3** Effectuer à nouveau la procédure pour « l'apprentissage des dispositifs connectés à l'unité de commande » décrite dans le manuel de ladite unité.

Il faudra, au terme de la procédure, reprogrammer le dispositif. **Remarque** – Il sera possible, au lancement de la nouvelle programmation, de choisir à nouveau la modalité à adopter pour reprogrammer le dispositif (« Easy » ou « Professional »).

## 9 - RECOMMANDATIONS D'UTILISATION DU DISPOSITIF

● L'utilisation du dispositif se base sur des codes numériques que l'utilisateur doit connaître et taper sur le clavier pour pouvoir envoyer les commandes à l'automatisme. ● Pour veiller à la sécurité du dispositif, il est conseillé de ne communiquer les codes confidentiels programmés (ainsi que les commandes qui y sont associées) qu'aux utilisateurs autorisés à utiliser l'automatisme. ● Après avoir entré le code, il est possible d'envoyer la commande en appuyant sur la touche de commande (▲ ou ▼) associée à ce code. ● Si le code saisi n'est pas correct, le dispositif émet un avertissement sonore. **Important !** – A la troisième entrée consécutive d'un mauvais code le système

bloque le fonctionnement du dispositif pendant 60 secondes. Si l'on commet par conséquent une erreur lors de l'entrée d'un code, il est conseillé d'interrompre l'opération, d'attendre 10 secondes et d'entrer une nouvelle fois le code, en partant du premier chiffre. ● Lors de l'entrée d'un code, on dispose de 10 secondes pour taper chaque chiffre ; si ce délai n'est pas respecté, il faut entrer à nouveau le code en partant du premier

**TABLEAU 6** - Signalisations de la Led « **L2** »

Signalisation de la Led « <b>L2</b> »	Signification
<b>ROUGE allumé fixe</b>	Portail fermé et automatisme déverrouillé
<b>ROUGE allumé fixe</b>	Portail en phase de fermeture
<b>ROUGE allumé fixe</b>	Portail ni fermé ni ouvert et automatisme déverrouillé
<b>VERT allumé fixe</b>	Portail en phase d'ouverture
<b>VERT allumé fixe</b>	Portail ni fermé ni ouvert et automatisme verrouillé
<b>VERT allumé fixe</b>	Portail ouvert et automatisme verrouillé
<b>VERT allumé fixe</b>	Portail fermé et automatisme verrouillé
<b>ROUGE (3 clignotements + 1 pause)</b>	Dispositif pas synchronisé sur « BlueBus »
<b>ROUGE (2 clignotements + 1 pause)</b>	Dispositif non adressé (c'est à dire sans cavalier)

chiffre. ● Pendant le fonctionnement de l'automatisme, la Led « L2 » émet des signaux lumineux. Consulter le **Tableau 6** pour comprendre à quoi ils correspondent.

## 10 - ESSAI

En fin de programmation, il faut s'assurer du bon fonctionnement du dispositif, comme suit.

**A** S'assurer du respect des consignes prévues au chapitre 1 - Avertissements et précautions générales. **B** Lire le chapitre 9 sur l'utilisation correcte du dispositif. **C** Entrer sur le clavier un code valide et appuyer sur la touche commande associée à ce code. Ensuite, observer... • le signal de la Led « L1 » et l'interpréter à l'aide du **Tableau 5** ; • le signal de la Led « L2 » et l'interpréter à l'aide du **Tableau 6** ; • la commande exécutée par l'automatisme. Si les observations et les interprétations à peine exécutées sont en conflit entre elles, lire le chapitre 11 - « Que faire si .... résolution des problèmes ». **D** Procéder à la vérification décrite au point précédent, pour chacun des autres codes mémorisés.

## 11 - QUE FAIRE SI... (dépannage)

- **La Led « L2 » émet 2 clignotements + pause, en rouge.** → Contrôler au dos du clavier que le cavalier a bien été inséré correctement.
- **(Présence de plusieurs claviers connectés à une seule et même logique de commande). Après l'envoi d'une commande, si cette dernière n'est pas exécutée et si la Led « L2 » émet 3 clignotements + pause.** → S'assurer que chaque clavier a bien son cavalier inséré dans une

position autre que celles utilisées par les autres dispositifs de commande «BlueBus » présents dans l'installation.

- **Si l'on tape sur les touches, le clavier n'émet aucun signal sonore.** → Contrôler que la mémoire BM est bien correctement insérée.
- **Après l'envoi d'une commande, si la Led « L1 » clignote pour indiquer que la commande a été donnée mais qu'en fait la logique de commande ne l'a pas exécutée.** → Contrôler que la procédure de reconnaissance du dispositif par la logique de commande a bien été exécutée correctement.
- **Si le clavier ne s'allume pas.** → Contrôler à l'aide d'un instrument adéquat que le réseau « BlueBus » est bien sous tension (vcc).
- **Après mise sous tension, le clavier s'allume mais les commandes ne sont pas exécutées.** → Vérifier que la logique de commande à laquelle le clavier est connecté supporte la connexion « BlueBus » pour les dispositifs de commande.
- **S'il y a une erreur d'entrée de code pendant au moins 3 fois de suite, le clavier se verrouille et émet des signaux sonores à intervalles réguliers.** → Le clavier se déverrouille automatiquement au bout d'une minute.
- **Si l'automatisme ne répond pas à l'envoi d'une commande et la Led « L2 » s'allume en fixe et en vert.** → Il se peut qu'une commande de verrouillage de l'automatisme ait été envoyée par erreur. Dans ce cas, déverrouiller l'automatisme en suivant la procédure du paragraphe 8.2.2.

## 12 - ENTRETIEN DU PRODUIT

Le produit n'exige pas d'entretien particulier. Nous conseillons de nettoyer les surfaces extérieures avec un chiffon doux légèrement humide. Ne pas utiliser de substances agressives ou abrasives telles que produits de nettoyage, solvants ou autres produits similaires.

### 13 - MISE AU REBUT DU PRODUIT

Ce produit fait partie intégrante de l'automatisme et doit donc être mis au rebut avec cette dernière. • Comme pour l'installation, à la fin de la durée de vie de ce produit, les opérations de démantèlement doivent être effectuées par du personnel qualifié. • Ce produit se compose de divers matériaux : certains peuvent être recyclés, d'autres doivent être mis au rebut. Informez-vous sur les systèmes de recyclage ou de mise au rebut prévus par les normes en vigueur dans votre région pour cette catégorie de produit. **Attention !** – certains composants du produit peuvent contenir des substances polluantes ou dangereuses qui pourraient avoir des effets nuisibles sur l'environnement et sur la santé des personnes s'ils n'étaient pas adéquatement éliminés. • Comme l'indique le symbole ci-contre, il est interdit de jeter ce produit avec les ordures ménagères. Procéder à la « collecte différenciée » des composants pour leur traitement conformément aux méthodes prescrites par les normes locales en vigueur ou restituer le produit au vendeur lors de l'achat d'un nouveau produit équivalent. **Attention !** – les règlements locaux en vigueur peuvent prévoir de lourdes sanctions en cas d'élimination prohibée de ce produit. • Les matériaux de l'emballage du produit doivent être mis au rebut dans le plein respect des normes locales en vigueur.

## CARACTÉRISTIQUES TECHNIQUES

**AVERTISSEMENTS :** • Toutes les caractéristiques techniques indiquées se réfèrent à une température ambiante de 20 °C ( $\pm 5$  °C). • Nice S.p.a. se réserve le droit d'apporter des modifications au produit à tout moment si elle le juge nécessaire, en garantissant dans tous les cas les mêmes fonctions et le même type d'utilisation prévu.

● **Typologie** : dispositif de commande par code. ● **Technologie adoptée** : protocole « BlueBus » (standard de Nice Spa) pour la connexion et la communication par câble bus. ● **Rétroéclairage des touches** : couleur rouge. ● **Longueur du câble de raccordement** : consulter la notice d'instructions de la logique de commande. ● **Alimentation** : par système « BlueBus » de Nice Spa. ● **Courant absorbé** : 1,5 unité « BlueBus ». ● **Capacité de mémoire** : 255 codes sur carte amovible BM1000 (le nombre maximum de codes pouvant être mémorisés varie selon le modèle de carte installée). ● **Isolation** : classe III. ● **Indice de protection du boîtier** : EDSB = IP 44 ; EDSIB = IP 54. ● **Température de fonctionnement** : entre -20 °C et +55 °C. ● **Utilisation en atmosphère acide, saline ou potentiellement explosive** : Non. ● **Montage** : EDSB - sur un mur vertical, ou sur une colonne PPK, ou sur une colonne PPH2 (avec adaptateur EKA01) ; EDSIB - encastré dans un mur vertical. Avec l'accessoire EKA02 installable aussi avec boîtier d'encastrement non produit par Nice. ● **Dimensions (mm)** : EDSB = 70 x 70 x 27 ; EDSIB = 70 x 70 x 78 (13 mm, partie extérieure quand le produit est encastré). ● **Poids (g)** : EDSB = 245 ; EDSIB = 205.

## 1 - ADVERTENCIAS Y PRECAUCIONES GENERALES

**¡ATENCIÓN!** ● Instrucciones importantes para la seguridad. ● Es importante respetar estas instrucciones a fin de preservar la seguridad de las personas; por tanto, es preciso leer detenidamente este manual antes de comenzar el trabajo. ● Conservar estas instrucciones.

● Antes de comenzar la instalación, comprobar si el producto es apto para el tipo de uso deseado (véanse los “Límites de uso” y las “Características técnicas del producto”). NO proceder con la instalación si el producto no es adecuado. ●

Durante la instalación, tratar el producto con cuidado evitando aplastamientos, caídas o contactos con cualquier tipo de líquido. No colocar el producto cerca de fuentes de calor ni exponerlo a llamas libres. Todas estas acciones pueden dañarlo y provocar defectos de funcionamiento o situaciones de peligro. En tal caso, interrumpir inmediatamente la instalación y acudir al Servicio de Asistencia Nice. ● No efectuar modificaciones en ninguna parte del producto. Las operaciones no permitidas pueden provocar defectos de funcionamiento. El fabricante no asumirá ninguna responsabilidad por daños originados por modificaciones arbitrarias aplicadas al producto.

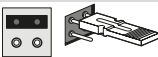
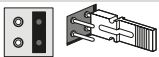
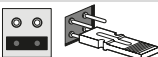
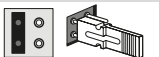
● El producto no puede ser utilizado por niños ni por personas con capacidades físicas, sensoriales o mentales reducidas, o bien carentes de experiencia o de conocimiento. ● El producto no puede considerarse un sistema de protección

absoluto contra las intrusiones. Para obtener una protección más eficaz hay que integrar la automatización con otros dispositivos de seguridad.

## 2 - DESCRIPCIÓN DEL PRODUCTO Y DESTINO DE USO

Este dispositivo es un **selector digital de combinación numérica** que forma parte de la gama **ERA**. Está destinado al mando de automatizaciones para puertas, cancelas, portones de garaje, puertas seccionales y otros productos similares; sirve para verificar y permitir el acceso a lugares o servicios exclusivamente a las personas autorizadas. Funciona sólo con los productos Nice dotados de tecnología “BlueBus”, compatible con los dispositivos de mando. **¡ATENCIÓN!** – **Cualquier empleo diferente de aquel descrito y en condiciones ambientales diferentes de aquellas indicadas en este manual debe considerarse inadecuado y prohibido.** ● El dispositivo se comunica con la central de mando y los otros dispositivos a través del sistema “BlueBus”. Este

**TABLA 1** - Direcciones de los dispositivos instalados

Dirección - 1	Dirección - 2
	
Dirección - 3	Dirección - 4
	

sistema prevé conexiones “en paralelo” sin ninguna polaridad con 2 conductores por los que transitan la alimentación eléctrica y las señales de comunicación. Cada dispositivo conectado debe adquirir una dirección por medio de la colocación de un jumper; la dirección debe ser diferente de las de los otros dispositivos conectados (**Tabla 1**) para que el dispositivo pueda ser reconocido por la central durante el procedimiento de adquisición de los dispositivos conectados. Para garantizar seguridad contra eventuales intentos fraudulentos de sustitución de un dispositivo, durante el procedimiento de adquisición la central crea un ulterior vínculo codificado con cada dispositivo presente. El manual de instrucciones de la central contiene más información sobre el sistema “BlueBus”.

- El dispositivo permite el mando de la automatización sólo si el usuario conoce la combinación asociada al mando que desea enviar. La tarjeta de memoria instalada (mod. BM1000) permite memorizar hasta 255 combinaciones. Las asociaciones entre las combinaciones y los mandos se memorizan durante la fase de programación aplicando los procedimientos indicados en este manual. Como alternativa, la tarjeta de memoria se puede quitar y programar directamente con las unidades de programación Nice (O-BOX o MOU).

### 3 - LÍMITES DE EMPLEO DEL PRODUCTO

- El producto se puede conectar exclusivamente a una central de mando de Nice S.p.a. dotada de tecnología “BlueBus” compatible con los dispositivos de mando.
- A una central “BlueBus” es posible conectar hasta 4 de los siguientes dispositivos: ETPB (lector de tarjetas con transponder), EDSB, EDSIB (teclados digitales de combinación).
- Antes de realizar la instalación,

leer el capítulo “Características técnicas del producto” para verificar si las condiciones en las que se desea emplear el producto cumplen con los valores límite establecidos por el fabricante.

## 4 - INSTALACIÓN Y CONEXIONES ELÉCTRICAS

### — Advertencias para la instalación —

- El modelo EDSB se debe instalar sobre una pared vertical. El modelo EDSIB se debe empotrar en una pared vertical.
- Para facilitar la introducción de las combinaciones y de los mandos, poner el producto a aproximadamente 1,5 m del suelo.
- El lugar, la superficie y la posición preelegidos para la instalación deben ser compatibles con el tamaño del producto y permitir un acceso, uso y mantenimiento ágil del producto, además de garantizar la fijación estable y la protección del producto contra choques.

### — Fases de instalación —

- 1 Leer el manual de instrucciones de la central de mando e identificar las características de los cables eléctricos que se deben utilizar.
- 2 Leer las advertencias al comienzo del capítulo 4 para identificar la posición en la cual fijar los dispositivos previstos.
- 3 Preparar los tubos de protección para los cables eléctricos.
- 4 Fijar cada dispositivo previsto como se indica en las **fig. 1, 2, 3, 4, 5** - (EDSB) / **1, 2, 3, 4** - (EDSIB).
- 5 **¡ATENCIÓN!** – **Todas las conexiones deben efectuarse en ausencia de alimentación eléctrica.** Pasar los cables eléctricos por los tubos de protección y conectar los dispositivos en “paralelo”, como se indica en la **fig. 6** - (EDSB) / **5** - (EDSIB): no es necesario respetar ninguna polaridad.
- 6 Si

en la instalación hay varios dispositivos (hasta 4, considerando también eventuales lectores de tarjetas de transponder, ETPB) es necesario cambiar la posición del jumper en cada uno (**fig. 7 - EDSB / 6 - EDSIB**), eligiendo una nueva dirección en la **Tabla 1. ¡Atención!** – Cada dispositivo debe tener una dirección diferente de aquellas utilizadas en los otros dispositivos. **7** Dar alimentación eléctrica a la central de mando: el Led “**L2**” (**fig. 8 - EDSB / 7 - EDSIB**) parpadea para indicar el tipo y el estado de la memoria BM instalada en el dispositivo (consultar la **Tabla 2** para entender el significado de los parpadeos); luego emite 5 parpadeos lentos si la memoria está vacía. **8** Buscar en el manual de instrucciones de la central de mando el procedimiento de adquisición de los dispositivos conectados a la central; seguir este procedimiento: la central reconocerá individualmente cada dispositivo “BlueBus” conectado). **9** Efectuar la **Programación** del dispositivo consultando los capítulos 5, 6, 7, 8. **10** Al finalizar la programación, leer el capítulo 9 sobre el uso del dispositivo y seguir el procedimiento de **Prueba** que se describe en el capítulo 10 para verificar el funcionamiento correcto de los elementos instalados. **11** Terminar la instalación como se indica en las **fig. 9, 10 - (EDSB) / 8, 9 - (EDSIB)**.

## 5 - ADVERTENCIAS PARA LA PROGRAMACIÓN

### 5.1 - Las combinaciones y su asociación a los mandos

● Una combinación es una “clave de acceso” que se debe programar según las necesidades y exigencias del usuario. Puede estar formada **por una o varias cifras, hasta un máximo de**

**nueve**, y cada cifra puede asumir un valor numérico de “0” a “9”. ● Una combinación se puede asociar a una o a ambas teclas de mando (▲ y ▼) según el procedimiento que se elija para programarla. — **Si la combinación se asocia a una de las dos teclas** (▲ o ▼), durante el uso del dispositivo, después de introducir la combinación, pulsar sólo la tecla de mando asociada a la combinación (si se pulsa la otra tecla no se produce ningún efecto). — **Si la combinación se asocia a ambas teclas** (▲ y ▼), durante el uso del dispositivo, después de introducir la combinación, es posible pulsar una o la otra tecla de mando; esta modalidad permite enviar dos mandos diferentes utilizando una misma combinación. ● El dispositivo sale de fábrica con la tecla ▲ asociada al mando “Paso-Paso”, y con la tecla ▼ asociada al mando “Apertura parcial”. Es posible cambiar estos mandos siguiendo los procedimientos 8.1.1 y 8.1.2. ● Durante

**TABLA 2 - Señales del Led “L2” acerca de la memoria BM**

Parpadeos Led “L2”	Significado
<b>1 parpadeo en color rojo</b>	BM60
<b>2 parpadeos en color rojo</b>	BM250
<b>3 parpadeos en color rojo</b>	BM1000
<b>4 parpadeos en color rojo</b>	Indica que se han memorizado códigos no válidos
<b>5 parpadeos en color rojo</b>	Error durante la lectura de la memoria
<b>5 parpadeos lentos en color rojo</b>	Memoria vacía



la fase de programación, el dispositivo emite señales acústicas para indicar el funcionamiento regular o un error. Consultar la **Tabla 3** para saber el significado de las señales acústicas.

## 5.2 - Subdivisión de los procedimientos de programación

- Los procedimientos de programación contenidos en el manual están divididos en dos secciones:
  - **programación en modo “EASY”**
  - **programación en modo “PROFESSIONAL”.**
- **Qué es el modo “EASY”:** permite programar sólo una combinación para asociar a las teclas ▲ y ▼. Como alternativa, es posible programar dos combinaciones diferentes: una para asociar a la tecla ▲ y la otra a la tecla ▼. En

TABLA 3 - Señales acústicas durante la programación	
Señal acústica	Significado
1 señal	Indica que se ha pulsado una tecla.
2 señales seguidas + 1 señal	Indica que se ha introducido una combinación no válida.
3 señales	Indica la conclusión correcta del procedimiento de programación.
1 señal con frecuencia regular	A la tercera introducción consecutiva de una combinación incorrecta, indica que el teclado permanecerá bloqueado durante 1 minuto.
Serie de señales acústicas	Indica que se ha cometido un error y el procedimiento ha fallado.

modo “Easy” se pueden ejecutar también otras funciones descritas en el capítulo 8.

- **Qué es el modo “PROFESSIONAL”:** permite programar hasta 255 combinaciones (el número puede variar según la tarjeta de memoria instalada). Para ejecutar los procedimientos en este modo es necesario introducir una **“contraseña para la programación Professional”, compuesta por 7 cifras** (la contraseña de fábrica es: **0-3-3-3-3-3-3**). **¡ATENCIÓN! – No olvidar la contraseña de programación; de lo contrario, será necesario borrar toda la memoria y repetir la programación desde el comienzo.** En modo “Professional” se pueden ejecutar también otras funciones descritas en el capítulo 8.
- **Los dos tipos de programación, “Easy” y “Professional”, son alternativos entre sí,** es decir que la elección de uno de los dos debe realizarse antes de comenzar la fase de programación, cuando la memoria del dispositivo aún está vacía. En lo sucesivo, si se desea cambiar de modo de programación (de “Easy” a “Professional” o viceversa) será necesario borrar primero toda la memoria del dispositivo.

## 6 - PROCEDIMIENTOS PARA PROGRAMAR EL DISPOSITIVO EN MODO “EASY”

**6.1 (Easy) Programar UNA combinación a asociar a las teclas ▲ y ▼** (este procedimiento es alternativo al del apartado 6.2).

- 1 Pulsar la tecla “T”.
- 2 En un plazo de 30 segundos introducir la combinación deseada (mínimo 1, máximo 9 cifras).
- 3 Pulsar 1 vez la tecla ▲ y 1 vez la tecla ▼. Si el procedimiento

se ejecuta correctamente, el teclado emite 3 señales acústicas.

## 6.2 (Easy) Programar **DOS combinaciones**

**diferentes: una a asociar a la tecla ▲ y otra a la tecla ▼** (este procedimiento es alternativo al del apartado 6.1).

**1** Pulsar la tecla "T". **2** En un plazo de 30 segundos introducir la **PRIMERA combinación** deseada (mínimo 1, máximo 9 cifras). **3** Pulsar 2 veces la tecla ▲. Si el procedimiento se ejecuta correctamente, el teclado emite 3 señales acústicas.

**4** Esperar 5 segundos. **5** Pulsar la tecla "T". **6** En un plazo de 30 segundos introducir la **SEGUNDA combinación** deseada (mínimo 1, máximo 9 cifras). **7** Pulsar 2 veces la tecla ▼. Si el procedimiento se ejecuta correctamente, el teclado emite 3 señales acústicas.

.....  
**IMPORTANTE – Otras funciones programables en modo "Easy" se describen en el capítulo 8.**

## 7 - PROCEDIMIENTOS PARA PROGRAMAR EL DISPOSITIVO EN MODO "PROFESIONAL"

---

### 7.1 (Professional) Programar una combinación a asociar a la tecla ▲ (cifra de referencia: 1).

**1** Introducir la contraseña de programación. – Pulsar la tecla ▼ para confirmar. **2** **Introducir la cifra "1"**. – Pulsar la tecla ▼ para confirmar. **3** Introducir la combinación deseada. –

Pulsar la tecla ▼ para confirmar. **4** Introducir de nuevo la misma combinación. – Pulsar la tecla ▼ para confirmar.

---

### 7.2 (Professional) Programar una combinación a asociar a la tecla ▼ (cifra de referencia: 2).

**1** Introducir la contraseña de programación. – Pulsar la tecla ▼ para confirmar. **2** **Introducir la cifra "2"**. – Pulsar la tecla ▼ para confirmar. **3** Introducir la combinación deseada. – Pulsar la tecla ▼ para confirmar. **4** Introducir de nuevo la misma combinación. – Pulsar la tecla ▼ para confirmar.

---

### 7.3 (Professional) Programar una combinación a asociar a las teclas ▲ y ▼ (cifras de referencia: 1-2).

**1** Introducir la contraseña de programación. – Pulsar la tecla ▼ para confirmar. **2** **Introducir las cifras "1-2"**. – Pulsar la tecla ▼ para confirmar. **3** Introducir la combinación deseada. – Pulsar la tecla ▼ para confirmar. **4** Introducir de nuevo la misma combinación. – Pulsar la tecla ▼ para confirmar.

---

### 7.4 (Professional) Cambiar la **contraseña para la programación Professional** (cifra de referencia: 3).

La contraseña se puede modificar todas las veces que se desee (la contraseña de fábrica es: **0-3-3-3-3-3-3**). Para realizar la modificación es necesario conocer la última contraseña válida.

**1** Introducir la contraseña de programación. – Pulsar la tecla ▼ para confirmar. **2** **Introducir la cifra "3"**. – Pulsar la tecla

▼ para confirmar. **3** Introducir una **nueva contraseña** para la programación “Professional” utilizando siete cifras elegidas de manera personal. – Pulsar la tecla ▼ para confirmar. **4** Introducir de nuevo la misma contraseña (la que se acaba de crear). – Pulsar la tecla ▼ para confirmar.

### 7.5 (Professional) Borrar UNA combinación asociada a la tecla ▲ (cifra de referencia: 4).

**1** Introducir la contraseña de programación. – Pulsar la tecla ▼ para confirmar. **2** **Introducir la cifra “4”**. – Pulsar la tecla ▼ para confirmar. **3** Introducir la combinación que se desea borrar, elegida entre aquellas asociadas a la tecla ▲. – Pulsar la tecla ▼ para confirmar. **4** Introducir de nuevo la combinación a borrar. – Pulsar la tecla ▼ para confirmar.

### 7.6 (Professional) Borrar UNA combinación asociada a la tecla ▼ (cifra de referencia: 5).

**1** Introducir la contraseña de programación. – Pulsar la tecla ▼ para confirmar. **2** **Introducir la cifra “5”**. – Pulsar la tecla ▼ para confirmar. **3** Introducir la combinación que se desea borrar, elegida entre aquellas asociadas a la tecla ▼. – Pulsar la tecla ▼ para confirmar. **4** Introducir de nuevo la combinación a borrar. – Pulsar la tecla ▼ para confirmar.

### 7.7 (Professional) Borrar UNA combinación asociada a las teclas ▲ y ▼ (cifras de referencia: 4-5).

**1** Introducir la contraseña de programación. – Pulsar la tecla ▼ para confirmar. **2** **Introducir las cifras “4-5”**. – Pulsar la

tecla ▼ para confirmar. **3** Introducir la combinación que se desea borrar, elegida entre aquellas asociadas a las teclas ▲ y ▼. – Pulsar la tecla ▼ para confirmar. **4** Introducir de nuevo la combinación a borrar. – Pulsar la tecla ▼ para confirmar.

### 7.8 (Professional) Contar el número de combinaciones válidas asociadas a la tecla ▲ (cifra de referencia: 6).

**1** Introducir la contraseña de programación. – Pulsar la tecla ▼ para confirmar. **2** **Introducir la cifra “6”**. – Pulsar la tecla ▼ para confirmar. **3** Para obtener el número de combinaciones válidas asociadas a la tecla ▲, contar las secuencias de señales acústicas emitidas por el dispositivo y leer el significado en la **Tabla 4**.

**TABLA 4** - Cálculo de las combinaciones memorizadas

Las secuencias de señales acústicas se emiten en el siguiente orden: centenas, decenas, unidades.

<b>3 señales</b>	<b>1 centena</b> (ej.: 2 secuencias de 3 señales = 200 combinaciones)
<b>2 señales</b>	<b>1 decena</b> (ej.: 3 secuencias de 2 señales = 30 combinaciones)
<b>1 señal</b>	<b>1 unidad</b> (ej.: 5 secuencias de 1 señal = 5 combinaciones)
<b>1 señal (10 secuencias)</b>	cifra “cero”

**Nota** – Para saber la cantidad total de combinaciones asociadas a la tecla ▲, sumar también las combinaciones asociadas a ambas teclas ▲ y ▼, calculadas con el procedimiento del apartado 7.10.

**7.9 (Professional) Contar el número de combinaciones válidas asociadas a la tecla ▼** (cifra de referencia: 7).

**1** Introducir la contraseña de programación. – Pulsar la tecla ▼ para confirmar. **2** **Introducir la cifra “7”**. – Pulsar la tecla ▼ para confirmar. **3** Para obtener el número de combinaciones válidas asociadas a la tecla ▼, contar las secuencias de señales acústicas emitidas por el dispositivo y leer el significado en la **Tabla 4**.

**Nota** – Para saber la cantidad total de combinaciones asociadas a la tecla ▼, sumar también las combinaciones asociadas a ambas teclas ▲ y ▼, calculadas con el procedimiento del apartado 7.10.

**7.10 (Professional) Contar el número de combinaciones válidas asociadas a las teclas ▲ y ▼** (cifras de referencia: 6-7).

**1** Introducir la contraseña de programación. – Pulsar la tecla ▼ para confirmar. **2** **Introducir las cifras “6-7”**. – Pulsar la tecla ▼ para confirmar. **3** Para obtener el número de combinaciones válidas asociadas a las teclas ▲ y ▼, contar las secuencias de señales acústicas emitidas por el dispositivo y leer el significado en la **Tabla 4**.

## DESACTIVACIÓN Y REACTIVACIÓN DE LAS COMBINACIONES

Esta función permite desactivar o activar todas las combinaciones que terminan con un determinado número. La desactivación no borra las combinaciones de la memoria. • Los procedimientos 7.11 y 7.12 se pueden repetir cada vez con un grupo de combinaciones con un número final diferente.

**7.11 (Professional) Desactivar todas las combinaciones que terminan con un determinado número** (cifra de referencia: 8).

**1** Introducir la contraseña de programación. – Pulsar la tecla ▼ para confirmar. **2** **Introducir la cifra “8”**. – Pulsar la tecla ▼ para confirmar. **3** Introducir el último número de las combinaciones que se desea desactivar. – Pulsar la tecla ▼ para confirmar. **4** Introducir de nuevo el último número de las combinaciones que se desea desactivar. – Pulsar la tecla ▼ para confirmar. Si el procedimiento se ejecuta correctamente, el teclado emite 3 señales acústicas.

**7.12 (Professional) Reactivar todas las combinaciones que terminan con un determinado número** (cifra de referencia: 9).

**1** Introducir la contraseña de programación. – Pulsar la tecla ▼ para confirmar. **2** **Introducir la cifra “9”**. – Pulsar la tecla ▼ para confirmar. **3** Introducir el último número de las combinaciones que se desea reactivar. – Pulsar la tecla ▼ para confirmar. **4** Introducir de nuevo el último número de

las combinaciones que se desea reactivar. – Pulsar la tecla ▼ para confirmar. Si el procedimiento se ejecuta correctamente, el teclado emite 3 señales acústicas.

### **7.13 (Professional) Programar la cantidad de veces que se desee utilizar una combinación** (cifras de referencia: **1-0**).

Todas las combinaciones que se crean son, por defecto, de **uso ilimitado**. Este procedimiento permite establecer un límite al uso de una combinación: el número máximo de veces es 999 (con valores superiores se restablece el uso ilimitado de la combinación). En lo sucesivo, cada vez que la combinación se utilice, la cifra del contador disminuirá y cuando sea cero ya no será posible utilizar la combinación.

**1** Introducir la contraseña de programación. – Pulsar la tecla ▼ para confirmar. **2** **Introducir las cifras “1-0”**. – Pulsar la tecla ▼ para confirmar. **3** Introducir la combinación cuyo uso se desea limitar. – Pulsar la tecla ▼ para confirmar. **4** Introducir de nuevo la misma combinación. – Pulsar la tecla ▼ para confirmar. **5** Introducir el número de veces que se desea utilizar la combinación (valor máximo, 999). – Pulsar la tecla ▼ para confirmar. Si el procedimiento se ejecuta correctamente, el teclado emite 3 señales acústicas.

### **7.14 (Professional) Borrar toda la memoria programada en modo “Professional”, si SE CONOCE la contraseña de programación** (cifra de referencia: **0**).

**1** Introducir la contraseña de programación. – Pulsar la tecla ▼ para confirmar. **2** **Introducir la cifra “0”**. – Pulsar la tecla

▼ para confirmar. **3** **Introducir de nuevo la cifra “0”**. – Pulsar la tecla ▼ para confirmar. **4** **Introducir una vez más la cifra “0”**. – Pulsar la tecla ▼ para confirmar. El dispositivo emite 3 señales acústicas seguidas de 5 parpadeos del Led “L2”. **5** Por último, ejecutar de nuevo el procedimiento de “adquisición de los dispositivos conectados a la central”, tomando como referencia el manual de la central.

Después del procedimiento será necesario programar el dispositivo nuevamente. **Nota** – Al comienzo de la nueva programación será posible elegir de nuevo el modo que se desea adoptar para reprogramar el dispositivo (“Easy” o “Professional”).

.....  
**IMPORTANTE** – Otras funciones programables en modo “Professional” se describen en el capítulo 8.

## **8 - AHONDAMIENTOS – PROCEDIMIENTOS COMUNES A AMBOS MODOS DE PROGRAMACIÓN, “EASY” Y “PROFESSIONAL”**

### **8.1 - Cambiar el mando asociado a la tecla ▲ o a la tecla ▼**

Esta función permite cambiar el mando asociado a la tecla ▲ o a la tecla ▼. El nuevo mando se debe elegir en la columna “Mando” de la **Tabla 5**. **¡Atención!** – Algunas centrales podrían tener mandos diferentes de aquellos indicados en la **Tabla 5**.

**1** Introducir una combinación válida para la tecla cuyo mando se desea cambiar. **2** Confirmar la contraseña pulsando la

tecla (▲ o ▼) a la que está asociada: el Led “L1” parpadea y luego se produce una pausa según el mando actualmente configurado (ver la **Tabla 5**). **3** Pulsar varias veces la tecla “T” para elegir el nuevo mando deseado (el Led “L1” comienza a parpadear): a cada presión de la tecla el sistema selecciona el mando siguiente listado en la tabla, y mantiene abierta la programación durante otros 10 segundos. Si se deja transcurrir este tiempo, el Led “L1” se apaga y el sistema reconfirma el mando seleccionado anteriormente. **4** Por último, pulsar la tecla que se pulsó en el punto 02, para confirmar el nuevo mando elegido.

## 8.2 - Bloquear / desbloquear la automatización

Esta función permite enviar por el teclado el mando para “bloquear” o para “desbloquear” la automatización.

**TABLA 5 - Mandos asociables a la tecla ▲ o a la tecla ▼**

Señal Led “L1”	Mando
<b>1 parpadeo + pausa</b>	<b>PASO-PASO</b> (asociado de fábrica a la tecla ▲)
<b>2 parpadeos + pausa</b>	<b>APERTURA</b>
<b>3 parpadeos + pausa</b>	<b>CIERRE</b>
<b>4 parpadeos + pausa</b>	<b>APERTURA PARCIAL</b> (asociado de fábrica a la tecla ▼)
<b>5 parpadeos + pausa</b>	<b>PARADA</b>
<b>6 parpadeos + pausa</b>	<b>LUZ DE CORTESÍA</b>

**1** Pulsar la tecla ▲: aparece el error “combinación errónea”.  
**2** En un plazo de 10 segundos: • para bloquear la automatización = introducir “0-0”. • para desbloquear la automatización = introducir “1-1”. **3** En un plazo de 10 segundos introducir cualquier combinación válida. **4** Pulsar la tecla ▲ para confirmar la acción elegida en el punto 02. Si el procedimiento se ejecuta correctamente, el teclado emite 3 señales acústicas y el Led “L2” indica el estado de funcionamiento (ver la **Tabla 6**).

**TABLA 6 - Señales del Led “L2”**

Señal Led “L2”	Significado
<b>ROJO encendido fijo</b>	Cancela cerrada y automatización desbloqueada
<b>ROJO encendido fijo</b>	Cancela en fase de cierre
<b>ROJO encendido fijo</b>	Cancela ni cerrada ni abierta; automatización desbloqueada
<b>VERDE encendido fijo</b>	Cancela en fase de apertura
<b>VERDE encendido fijo</b>	Cancela ni cerrada ni abierta; automatización bloqueada
<b>VERDE encendido fijo</b>	Cancela abierta y automatización bloqueada
<b>VERDE encendido fijo</b>	Cancela cerrada y automatización bloqueada
<b>ROJO (3 parpadeos + 1 pausa)</b>	Dispositivo no sincronizado en el “BlueBus”
<b>ROJO (2 parpadeos + 1 pausa)</b>	Dispositivo sin dirección (o sea sin jumper)

### 8.3 - Borrar toda la memoria

**1** Pulsar de manera prolongada la tecla “T”: el Led “L1” permanece encendido; esperar hasta que parpadee 3 veces para soltar la tecla “T” durante el tercer parpadeo. **2** El Led “L1” emite una serie de impulsos luminosos y luego 3 señales acústicas, seguidas de 5 parpadeos del Led frontal. **3** Por último, ejecutar de nuevo el procedimiento de “adquisición de los dispositivos conectados a la central”, tomando como referencia el manual de la central.

Después del procedimiento será necesario programar el dispositivo nuevamente. **Nota** – Al comienzo de la nueva programación será posible elegir de nuevo el modo que se desea adoptar para reprogramar el dispositivo (“Easy” o “Professional”).

## 9 - ADVERTENCIAS PARA EL USO DEL DISPOSITIVO

● El uso del dispositivo se basa en combinaciones numéricas que el usuario debe conocer e introducir con el teclado para poder enviar los mandos a la automatización. ● Para conservar la seguridad del dispositivo se recomienda dar a conocer las combinaciones programadas (y los respectivos mandos asociados) sólo a los usuarios autorizados para el uso de la automatización. ● Después de introducir la combinación, es posible enviar el mando pulsando la tecla de mando (▲ o ▼) asociada a la combinación. ● Si la combinación es incorrecta, el dispositivo emite una señal acústica. **¡Importante!** – A la tercera introducción consecutiva de una combinación incorrecta, el sistema bloquea 60 segundos el funcionamiento del dispositivo. Si se

comete un error durante la introducción de una combinación, se recomienda suspender la operación, esperar 10 segundos e introducir nuevamente la combinación, comenzando por la primera cifra. ● Para introducir una combinación, se dispone de 10 segundos entre la introducción de una cifra y la siguiente; transcurrido ese lapso, será necesario introducir de nuevo la combinación, comenzando por la primera cifra. ● Durante el funcionamiento de la automatización, el Led “L2” emite señales luminosas. Consultar la **Tabla 6** para saber los significados.

## 10 - PRUEBA

Al finalizar la programación, es necesario verificar el correcto funcionamiento del dispositivo, de la siguiente manera.

**A** Comprobar que se haya seguido el capítulo 1 - Advertencias y precauciones generales. **B** Leer el capítulo 9 sobre el uso correcto del dispositivo. **C** Introducir con el teclado una combinación válida y pulsar la tecla de mando asociada a esa combinación. A continuación, observar: ● la señal del Led “L1” e interpretarla según la **Tabla 5**; ● la señal del Led “L2” e interpretarla según la **Tabla 6**; ● el mando ejecutado por la automatización. Si las observaciones e interpretaciones están en conflicto entre sí, leer el capítulo 11 - “Qué hacer si... solución de problemas”. **D** Realizar la verificación indicada en el punto anterior con cada una de las otras combinaciones memorizadas.

## 11 - QUÉ HACER SI... (solución de problemas)

- **El Led "L2" emite 2 parpadeos + pausa, en color rojo.** → Comprobar del lado posterior del teclado que el jumper esté puesto correctamente.
- **(Presencia de varios teclados conectados a una misma central de mando). Tras el envío de un mando, si éste no se ejecuta y el Led "L2" emite 3 parpadeos + pausa.** → Asegurarse de que cada teclado tenga el jumper en una posición diferente de la de los otros dispositivos de mando "BlueBus" de la instalación.
- **Al pulsar las teclas, el teclado no emite ninguna señal acústica.** → Comprobar que la memoria BM esté introducida correctamente.
- **Tras el envío de un mando, si el Led "L1" parpadea para indicar que el mando se ha ejecutado pero en realidad la central de mando no lo ha ejecutado.** → Comprobar que el procedimiento de adquisición del dispositivo por parte de la central se haya ejecutado correctamente.
- **Si el teclado no se enciende.** → Comprobar con un instrumento adecuado que haya tensión (vdc) en la red "BlueBus".
- **Después de activar la alimentación, el teclado se enciende pero los mandos no se ejecutan.** → Comprobar que la central de mando a la que está conectado el teclado sea compatible con la conexión "BlueBus" para los dispositivos de mando.
- **Si se introduce una combinación incorrecta más de 3 veces, el teclado se bloquea y emite señales acús-**

**ticas con intervalos regulares.** → Después de 1 minuto se desbloquea automáticamente.

- **Si la automatización no responde al envío de un mando y el Led "L2" está encendido fijo en verde.** → Probablemente se envió accidentalmente un mando de bloqueo de la automatización. En este caso, desbloquear la automatización siguiendo el procedimiento del apartado 8.2.2.

## 12 - MANTENIMIENTO DEL PRODUCTO

El producto no necesita mantenimientos particulares; se recomienda limpiar las superficies externas con un paño suave apenas humedecido en agua. No utilizar sustancias agresivas o abrasivas, como detergentes, solventes y afines.

## 13 - ELIMINACIÓN DEL PRODUCTO

Este producto forma parte de la automatización; por consiguiente, deberá ser eliminado junto con ésta. • Al igual que para las operaciones de instalación, también al final de la vida útil de este producto, las operaciones de desguace deben ser efectuadas por personal experto. • Este producto está formado por varios tipos de materiales, algunos de los cuales pueden reciclarse. Infórmese sobre los sistemas de reciclado o eliminación previstos por las normativas vigentes en su territorio para esta categoría de producto. **¡Atención!** – Algunas piezas del producto pueden contener sustancias contaminantes o peligrosas que, si se las abandona en el medio ambiente, podrían provocar efectos perjudiciales para el medio ambiente y para la salud humana. • Como indica el símbolo que aparece





al lado, está prohibido eliminar este producto junto con los desechos domésticos. Realice la “recogida selectiva” para la eliminación, según los métodos previstos por las normativas vigentes en su territorio, o bien entregue el producto al vendedor cuando compre un nuevo producto equivalente. **¡Atención!** – Los reglamentos locales pueden prever sanciones importantes en caso de eliminación ilegal de este producto. El material de embalaje del producto debe eliminarse de conformidad con la normativa local.

## CARACTERÍSTICAS TÉCNICAS

**ADVERTENCIAS:** • Todas las características técnicas indicadas se refieren a una temperatura ambiente de 20 °C (±5 °C).

• Nice S.p.a. se reserva el derecho de modificar el producto en cualquier momento en que lo considere necesario, manteniendo las mismas funciones y el mismo uso previsto.

● **Tipo:** dispositivo de mando por combinación. ● **Tecnología adoptada:** protocolo “BlueBus” (estándar de Nice S.p.a.) para la conexión y la comunicación por cable bus. ● **Retroiluminación de las teclas:** color rojo. ● **Longitud del cable de conexión:** consultar el manual de instrucciones de la central de mando. ● **Alimentación:** por sistema “BlueBus” de Nice S.p.a. ● **Corriente absorbida:** 1,5 unidades “BlueBus”. ● **Capacidad de memoria:** 255 combinaciones en tarjeta amovible BM1000 (el número máximo de combinaciones memorizables varía según el modelo de tarjeta instalada). ● **Aislamiento:** clase III. ● **Grado de protección de la caja:** EDSB = IP 44; EDSIB = IP 54. ● **Temperatura de ejercicio:** de -20 °C a +55 °C. ● **Uso en atmósfera ácida, salina o potencialmente explosiva:** No. ● **Montaje:** EDSB - sobre pared vertical, o sobre columna PPK, o sobre columna PPH2 (con adaptador EKA01); EDSIB - empotrado en una pared vertical. Con el accesorio EKA02, se puede instalar en una caja de empotrar no fabricada por Nice. ● **Medidas (mm):** EDSB = 70 x 70 x 27; EDSIB = 70 x 70 x 78 (13 mm parte externa, cuando el producto está empotrado). ● **Peso (g):** EDSB = 245; EDSIB = 205.

## 1 - ALLGEMEINE HINWEISE UND VORSICHTSMASSNAHMEN


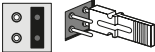
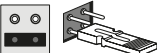

**ACHTUNG!** ● **Wichtige Sicherheitsanweisungen.** ● **Für die Sicherheit der Personen ist es wichtig, diese Anweisungen zu beachten; deshalb vor Beginn der Arbeit dieses Handbuch aufmerksam durchlesen.** ● **Bitte diese Anleitung gut aufbewahren.** ● Bevor Sie mit der Installation beginnen, muss überprüft werden, ob das vorliegende Produkt für die gewünschten Zwecke geeignet ist (siehe „Einsatzgrenzen“ und die „Technischen Eigenschaften des Produkts“). Wenn das Produkt nicht geeignet sein sollte, darf NICHT mit der Installation fortgefahren werden. ● Handhaben Sie das Produkt während der Installation mit Vorsicht und vermeiden Sie Quetschungen, Stöße, ein Herunterfallen sowie den Kontakt mit Flüssigkeiten aller Art. Das Produkt darf nicht in die Nähe von Hitzequellen gelangen und keinen offenen Flammen ausgesetzt werden. All diese Handlungen können das Produkt beschädigen oder Ursache für Störungen oder Gefahrensituationen sein. Falls es dennoch passieren sollte, unterbrechen Sie die Installation und wenden Sie sich an den Nice-Kundenservice. ● An keinem der Produktteile dürfen Änderungen vorgenommen werden. Nicht zulässige Arbeiten können nur Betriebsstörungen verursachen. Der Hersteller übernimmt keinerlei Haftung für Schäden, die durch willkürliche Änderungen am Produkt entstanden sind. ● Das Produkt darf nicht von Personen (einschließlich Kindern) mit eingeschränkten

physischen, sensorischen oder geistigen Fähigkeiten oder mangelnder Erfahrung bzw. Kenntnis verwendet werden. ● Das Produkt kann nicht als absolutes Einbruchschutzsystem betrachtet werden. Wenn Sie sich noch wirksamer schützen möchten, ist es erforderlich, die Automation mit anderen Sicherheitssystemen zu vervollständigen.

## 2 - PRODUKTBESCHREIBUNG UND EINSATZZWECK

Die vorliegende Vorrichtung ist ein **Nummern-Digitalwahlschalter** der Produktreihe **ERA**. Er ist zur Steuerung von Automatisierungen an Türen, Toren, Garagentoren usw. bestimmt; es erlaubt die Prüfung und den Zutritt nur durch autorisierten Personen zu Orten oder Einrichtungen. Die Vorrichtung funktioniert nur mit Produkten Nice mit „BlueBus-Technologie“, die Steuervorrichtungen unterstützt. **ACHTUNG! – Jeder andere Verwendung als hier beschrieben und unter Umgebungsbedingungen, die sich von den in diesem Handbuch beschriebenen unterscheidet, ist unsachgemäß und verboten!** ● Die Vorrichtung kommuniziert mit der Steuerzentrale und weitere eventuell vorhandene Vorrichtungen über das System „BlueBus“. Dieses System benötigt „parallele“ Anschlüsse, ohne Polarität, mit 2 Leitern für Strom und Kommunikationssignale. Jede Vorrichtung muss mit Hilfe eines Jumpers adressiert werden und muss eine andere Adresse haben, als die anderen angeschlossenen Vorrichtungen (**Tabelle 1**), damit es von der Steuerung während des „Selbstlernvorgangs der angeschlossenen Vorrichtungen“ erkannt wird. Zur Sicherheit gegen eventuelle Versuche zum Austausch einer Vorrichtung in betrügerischer Absicht erstellt die Zentrale während des Selbstlernvorgangs ei-

**TABELLE 1** - Adressierung der installierten Vorrichtungen

Adresse - 1	Adresse - 2
	
Adresse - 3	Adresse - 4
	

ne zusätzliche, codierte Verbindung mit jeder vorhandenen Vorrichtung, um es damit an sich zu binden. Weitere Informationen zum System „BlueBus“ finden Sie im Handbuch der Steuerung.

- Die Vorrichtung erlaubt nur dann die Bedienung der Automatisierung, wenn der Benutzer die Kombination kennt, die mit der Steuerung verknüpft ist, die er zu bedienen wünscht. Die installierte Speicherkarte (Mod. BM1000) erlaubt die Speicherung von bis zu 255 Kombinationen. Die Verbindungen zwischen Kombinationen und Steuerungen werden während der Programmierungsphase mit den in diesem Handbuch beschriebenen Vorgehensweisen gespeichert. Alternativ kann die Speicherkarte auch entnommen und direkt mit den Programmierungseinheiten Nice (O-BOX oder MOU) programmiert werden.

### 3 - VERWENDUNGSBESCHRÄNKUNGEN DES PRODUKTS

- Das Produkt kann nur an einer Steuerung der Firma Nice Spa mit „BlueBus-Technologie“ angeschlossen werden, das

Steuervorrichtungen unterstützt.

- An einer „BlueBus“-Steuerung können bis zu 4 der folgenden Geräte angeschlossen werden: ETPB (Lesegerät für Transponderkarten), EDSB, EDSIB (Nummern-Digitaltastaturen).
- Vor Beginn der Installation lesen Sie bitte das Kapitel „Technische Eigenschaften des Produkts“, um zu prüfen, ob die Bedingungen, unter denen das Produkt eingesetzt werden soll, jenen entspricht, die der Hersteller festgelegt hat.

## 4 - INSTALLATION UND ELEKTRISCHE ANSCHLÜSSE

### — Installationshinweise —

- Das Modell EDSB muss an einer vertikalen Wand installiert werden, während das Modell EDSIB in eine vertikale Wand eingebaut werden muss.
- Zur einfacheren Eingabe der Kombinationen und Steuerbefehle sollte das Produkt in einer Höhe von etwa 1,5 m vom Boden installiert werden.
- Der Ort, die Fläche und die Position, die für die Installation ausgewählt werden, müssen mit der Gesamtgröße des Produkts kompatibel sein, einen leichten Zugriff für Nutzung und Wartung gewährleisten sowie es vor Stößen schützen. Das Produkt muss stabil an der Wand befestigt werden.

### — Installationsschritte —

- 1 Lesen Sie das Handbuch der Steuerung und stellen Sie die Eigenschaften der Elektrokabel fest, die Sie verwenden sollten.
- 2 Lesen Sie die Hinweise zu Beginn des Kapitels 4, um die Position festzulegen, an der die vorgesehenen Produkte angebracht werden sollen.
- 3 Bereiten Sie Schutzschläuche für die Stromkabel vor.
- 4 Befestigen Sie die Vorrichtung wie in den

**Abb. 1, 2, 3, 4, 5** - (EDSB) / **1, 2, 3, 4** - (EDSIB) gezeigt. **5 ACHTUNG!** – Alle Anschlüsse müssen bei ausgeschalteter Stromversorgung ausgeführt werden. Die Elektrokabel durch die Schläuche führen und die Vorrichtungen „parallel“, wie in **Abb. 6** - (EDSB) / **5** - (EDSIB) schalten: es muss hierbei keine Polarität beachtet werden. **6** Sind mehrere Vorrichtungen vorhanden (bis zu 4 Vorrichtungen, darunter auch eventuelle Transponder-Kartenlesegeräte, ETPB) muss an dieser Stelle der Installation die Position des Jumpers für jede dieser Vorrichtungen geändert werden (**Abb. 7** - EDSB / **6** - EDSIB), um eine neue Adresse in **Tabelle 1** zu wählen. **Achtung!** – Jede Vorrichtung muss eine eigene Adresse haben. **7** Die Steuerung nun mit Strom versorgen: die LED „L2“ (**Abb. 8** - EDSB / **7** - EDSIB) blinkt und zeigt damit den Typ und den Zustand der in der Vorrichtung installierten Speicherkarte BM an (in **Tabelle 2** sind die

Bedeutungen der Blinklichter aufgeführt), eventuell gefolgt von 5 Mal langsames Blinken, wenn der Speicher leer ist. **8** Im Handbuch der Steuerung den „Selbstlernvorgang für die an die Zentrale angeschlossenen Vorrichtungen“ heraussuchen und ausführen (damit kann die Steuerung jede einzelne angeschlossene „BlueBus-Vorrichtung“ erkennen). **9** Die **Programmierung** der Vorrichtung entsprechend der Anweisungen in den Kapiteln 5, 6, 7, 8 ausführen. **10** Nach Abschluss der Programmierung im Kapitel 9 den Gebrauch der Vorrichtung nachlesen; dann den in Kapitel 10 beschriebenen **Testvorgang** durchführen, um die einwandfreie Funktion der installierten Vorrichtungen zu prüfen. **11** Abschließend die Installation wie in den **Abb. 9, 10** - (EDSB) / **8, 9** - (EDSIB) gezeigt beenden.

## 5 - HINWEISE ZUR PROGRAMMIERUNG

### 5.1 - Die Kombinationen und ihre Zuordnung zu den Steuerbefehlen

● Eine Zahlenkombination ist ein „Zugangsschlüssel“, der je nach Bedarf und Wünschen des Benutzers programmiert wird. Er kann aus **einer oder mehreren Ziffern bis maximal neun Ziffern bestehen** und jede Ziffer kann einen Wert zwischen „0“ und „9“ haben. ● Eine Zahlenkombination kann einer oder beiden Steuertasten zugeordnet werden (▲ und ▼), je nachdem, welche Vorgehensweise für die Programmierung gewählt wird. — **Wird die Zahlenkombination einer oder beiden Steuertasten** (▲ o ▼) zugeordnet, wird nach Eingabe der Zahlenkombination nur die Taste gedrückt, der die Kombination zugeordnet wurde (das Drücken der anderen Taste hat keinerlei Auswirkung). — **Wird die Zahlenkombination beiden Steuertasten zugeordnet** (▲ e ▼), dann

**TABELLE 2** - Signale der LED „L2“ bezüglich der BM-Speicherkarte

Blinksignale der LED „L2“	Bedeutung
<b>1</b> Blinksignal in der Farbe Rot	BM60
<b>2</b> Blinksignale in der Farbe Rot	BM250
<b>3</b> Blinksignale in der Farbe Rot	BM1000
<b>4</b> Blinksignale in der Farbe Rot	Es wurden ungültige Codes gespeichert
<b>5</b> Blinksignale in der Farbe Rot	Fehler beim Lesen der Speicherkarte
<b>5 (langsame)</b> Blinksignale in der Farbe Rot	Speicher leer

können bei der Verwendung der Vorrichtung beliebig beide Tasten gedrückt werden: damit besteht die Möglichkeit, zwei unterschiedliche Befehle mit der gleichen Zahlenkombination zu senden. ● Werkseitig wird die Taste ▲ dem Befehl „Schrittbetrieb“ und die Taste ▼ dem Befehl „Teilöffnung“ zugeordnet. Es ist natürlich möglich, diese Befehle mit Hilfe der Vorgehensweisen unter Punkt 8.1.1 und 8.1.2 zu ändern. ● Während der Programmierung gibt die Vorrichtung akustische Signale aus, um die richtige Funktion bzw. einen Fehler anzuzeigen. Bitte lesen Sie in **Tabelle 3** die verschiedenen Bedeutungen der akustischen Signale nach.

<b>TABELLE 3 - Akustische Signale während der Programmierung</b>	
<b>Akustischer Signalton</b>	<b>Bedeutung</b>
<b>1 Ton</b>	Zeigt das normale Drücken einer Taste an.
<b>2 Töne in kurzer Folge + 1 Ton</b>	Zeigt die Eingabe einer ungültigen Kombination an.
<b>3 Töne</b>	Zeigt den korrekten Abschluss des Programmierungsverfahrens an.
<b>1 regelmäßig ausgegebener Ton</b>	Zeigt die Blockierung der Tastatur über 1 Minute an, nachdem das Passwort 3 Mal falsch eingegeben wurde.
<b>Serie von Tönen</b>	Zeigt an, dass ein Fehler gemacht wurde und dass das Verfahren nicht durchgeführt wurde.

## 5.2 - Aufteilung der Programmierungsverfahren

● Alle im Handbuch beschriebenen Programmierungsverfahren sind in zwei Bereiche unterteilt: — **Programmierung „EASY“**. — **Programmierung „PROFESSIONAL“**. ● **Beschreibung der Programmierung „EASY“**: mit dieser Programmierung kann nur eine Zahlenkombination zur Zuordnung der Tasten ▲ und ▼ programmiert werden. Alternativ können zwei unterschiedliche Kombinationen programmiert werden: eine für die Taste ▲ und eine für die Taste ▼. Mit der Programmierung „Easy“ können auch weitere, in Kapitel 8 aufgeführte Funktionen ausgeführt werden. ● **Beschreibung der Programmierung „PROFESSIONAL“**: mit dieser Programmierung können bis zu 255 Zahlenkombinationen programmiert werden (die tatsächliche Anzahl hängt von der installierten Speicherkarte ab). Zur Ausführung der Verfahren in dieser Betriebsart muss ein „**Passwort für die Programmierung Professional**“, bestehend aus **7 Ziffern** eingegeben werden (das werkseitig eingestellte Passwort lautet: **0-3-3-3-3-3-3**). **ACHTUNG! – Sollten Sie das Passwort für die Programmierung vergessen, muss der gesamte Speicher gelöscht und die Programmierung komplett neu durchgeführt werden.** Mit der Programmierung „Professional“ können auch weitere, in Kapitel 8 aufgeführte Funktionen ausgeführt werden. ● **Die beiden Programmierarten „Easy“ und „Professional“ können alternativ verwendet werden**: das heißt, die Programmierart muss vor Beginn der Programmierung gewählt werden, wenn also der Speicher der Vorrichtung noch leer ist. Möchte man die Programmierart zu einem späteren Zeitpunkt ändern (von „Easy“ zu „Professional“ oder umgekehrt) muss notwendigerweise erst der gesamte Speicher der Vorrichtung gelöscht werden.

## 6 - VERFAHREN ZUR PROGRAMMIERUNG DER VORRICHTUNG IN DER BETRIEBSART „EASY“

**6.1 (Easy) EINE Kombination programmieren die mit den Tasten ▲ und ▼ verknüpft wird** (dieser Vorgang ist eine Alternative zu dem in Abschnitt 6.2 beschriebenen Vorgang).

**1** Die Taste „T“ drücken. **2** Innerhalb von 30 Sekunden die gewünschte Kombination eingeben (mindestens 1, maximal 9 Ziffern). **3** 1 Mal die Taste ▲ und 1 Mal die Taste ▼ drücken. Wurde der Vorgang richtig ausgeführt, gibt die Tastatur 3 akustische Signale aus.

**6.2 (Easy) ZWEI unterschiedliche Kombinationen programmieren: eine zur Verknüpfung mit der Taste ▲ und eine weitere zur Verknüpfung mit der Taste ▼** (dieser Vorgang ist alternativ zu dem in Abschnitt 6.1 beschriebenen Vorgang).

**1** Die Taste „T“ drücken. **2** Innerhalb von 30 Sekunden die **ERSTE Kombination** eingeben (mindestens 1, maximal 9 Ziffern). **3** 2 Mal die Taste ▲ drücken. Wurde der Vorgang richtig ausgeführt, gibt die Tastatur 3 akustische Signale aus. **4** 5 Sekunden abwarten. **5** Die Taste „T“ drücken. **6** Innerhalb von 30 Sekunden die **ZWEITE Kombination** eingeben (mindestens 1, maximal 9 Ziffern). **7** 2 Mal die Taste ▼ drücken. Wurde der Vorgang richtig ausgeführt, gibt die Tastatur 3 akustische Signale aus.

.....  
**WICHTIG** – Weitere in der Betriebsart „Easy“ programmierbare Funktionen sind in Kapitel 8 aufgeführt.

## 7 - VERFAHREN ZUR PROGRAMMIERUNG DER VORRICHTUNG IN DER BETRIEBSART „PROFESSIONAL“

**7.1 (Professional) Eine mit der Taste ▲ zu verknüpfende Kombination programmieren** (Bezugsziffer: **1**).

**1** Das Programmierungspasswort eingeben. – Die Taste ▼ zur Bestätigung drücken. **2** **Die Ziffer „1“** eingeben. – Die Taste ▼ zur Bestätigung drücken. **3** Die gewünschte Kombination eingeben. – Die Taste ▼ zur Bestätigung drücken. **4** Erneut die gleiche Kombination eingeben. – Die Taste ▼ zur Bestätigung drücken.

**7.2 (Professional) Eine mit der Taste ▼ zu verknüpfende Kombination programmieren** (Bezugsziffer: **2**).

**1** Das Programmierungspasswort eingeben. – Die Taste ▼ zur Bestätigung drücken. **2** **Die Ziffer „2“** eingeben. – Die Taste ▼ zur Bestätigung drücken. **3** Die gewünschte Kombination eingeben. – Die Taste ▼ zur Bestätigung drücken. **4** Erneut die gleiche Kombination eingeben. – Die Taste ▼ zur Bestätigung drücken.

**7.3 (Professional) Programmieren einer mit den Tasten ▲ und ▼ zu verknüpfenden Kombination** (Bezugsziffern: **1-2**).

**1** Das Programmierungspasswort eingeben. – Die Taste ▼ zur Bestätigung drücken. **2 Die Ziffer „1-2“** eingeben. – Die Taste ▼ zur Bestätigung drücken. **3** Die gewünschte Kombination eingeben. – Die Taste ▼ zur Bestätigung drücken. **4** Erneut die gleiche Kombination eingeben. – Die Taste ▼ zur Bestätigung drücken.

---

#### **7.4 (Professional) Passwort für die Programmierung Professional eingeben** (Bezugsziffer: **3**).

Das Passwort kann jederzeit geändert werden (das werkseitig eingestellte Passwort lautet: **0-3-3-3-3-3-3**). Zur Änderung muss das zuletzt gültige Passwort bekannt sein.

**1** Das Programmierungspasswort eingeben. – Die Taste ▼ zur Bestätigung drücken. **2 Die Ziffer „3“** eingeben. – Die Taste ▼ zur Bestätigung drücken. **3** Ein **neues Passwort** für die Programmierung „Professional“ über sieben selbst gewählte Ziffern eingeben. – Die Taste ▼ zur Bestätigung drücken. **4** Das gerade erstellte Passwort erneut eingeben. – Die Taste ▼ zur Bestätigung drücken.

---

#### **7.5 (Professional) EINE mit der Taste ▲** verknüpfte Kombination löschen (Bezugsziffer: **4**).

**1** Das Programmierungspasswort eingeben. – Die Taste ▼ zur Bestätigung drücken. **2 Die Ziffer „4“** eingeben. – Die Taste ▼ zur Bestätigung drücken. **3** Unter den mit der Taste ▲ verknüpften Kombinationen jene auswählen, die gelöscht werden soll. – Die Taste ▼ zur Bestätigung drücken. **4** Erneut die zu löschende Kombination eingeben. – Die Taste ▼ zur Bestätigung drücken.

---

#### **7.6 (Professional) EINE mit der Taste ▼** verknüpfte Kombination löschen (Bezugsziffer: **5**).

**1** Das Programmierungspasswort eingeben. – Die Taste ▼ zur Bestätigung drücken. **2 Die Ziffer „5“** eingeben. – Die Taste ▼ zur Bestätigung drücken. **3** Unter den mit der Taste ▼ verknüpften Kombinationen jene auswählen, die gelöscht werden soll. – Die Taste ▼ zur Bestätigung drücken. **4** Erneut die zu löschende Kombination eingeben. – Die Taste ▼ zur Bestätigung drücken.

---

#### **7.7 (Professional) Löschen EINER mit den Tasten ▲ und ▼** verknüpften Kombination (Bezugsziffern: **4-5**).

**1** Das Programmierungspasswort eingeben. – Die Taste ▼ zur Bestätigung drücken. **2 Die Ziffern „4-5“** eingeben. – Die Taste ▼ zur Bestätigung drücken. **3** Unter den mit der Taste ▲ verknüpften Kombinationen jene auswählen, die gelöscht werden soll. – Die Taste ▼ zur Bestätigung drücken. **4** Erneut die zu löschende Kombination eingeben. – Die Taste ▼ zur Bestätigung drücken.

---

#### **7.8 (Professional) Die Anzahl der mit der Taste ▲** verknüpften, gültigen Kombinationen zählen (Bezugsziffer: **6**).

**1** Das Programmierungspasswort eingeben. – Die Taste ▼ zur Bestätigung drücken. **2 Die Ziffer „6“** eingeben. – Die Taste ▼ zur Bestätigung drücken. **3** Um also die Anzahl der mit der Taste ▲ verknüpften, gültigen Kombinationen zu

erhalten, zählen Sie die von der Vorrichtung ausgegebenen akustischen Tonsignale und lesen Sie die entsprechende Beschreibung in **Tabelle 4**.

**Hinweis** – Um die Gesamtzahl der mit der Taste ▲ verknüpften Kombinationen zu erfahren, zählen Sie auch die mit den beiden Tasten ▲ und ▼ verknüpften Kombinationen hinzu, die mit dem in Abschnitt 7.10 beschriebenen Verfahren errechnet wurden.

### 7.9 (Professional) Die Anzahl der mit der Taste ▼ verknüpften, gültigen Kombinationen zählen (Bezugsziffer: 7).

**1** Das Programmierungspasswort eingeben. – Die Taste ▼ zur Bestätigung drücken. **2** Die Ziffer "7" eingeben. – Die

**TABELLE 4** - Zählung der gespeicherten Kombinationen

Die Sequenzen der akustischen Signale werden in der gezeigten Reihenfolge ausgegeben: Hunderter Einheiten, Zehner Einheiten, Einheiten.

<b>3 Töne</b>	<b>1 Hunderter Einheit</b> (z.B.: 2 Sequenzen mit 3 Tönen = 200 Kombinationen)
<b>2 Töne</b>	<b>1 Zehner Einheit</b> (z.B.: 3 Sequenzen mit 2 Tönen = 30 Kombinationen)
<b>1 Ton</b>	<b>1 Einheit</b> (z.B.: 5 Sequenzen mit 1 Ton = 5 Kombinationen)
<b>1 Ton (10 Sequenzen)</b>	Ziffer "Null"

Taste ▼ zur Bestätigung drücken. **3** Um also die Anzahl der mit der Taste ▼ verknüpften, gültigen Kombinationen zu erhalten, zählen Sie die von der Vorrichtung ausgegebenen akustischen Tonsignale und lesen Sie die entsprechende Beschreibung in **Tabelle 4**.

**Hinweis** – Um die Gesamtzahl der mit der Taste ▼ verknüpften Kombinationen zu erfahren, zählen Sie auch die mit den beiden Tasten ▲ und ▼ verknüpften Kombinationen hinzu, die mit dem in Abschnitt 7.10 beschriebenen Verfahren errechnet wurden.

### 7.10 (Professional) Die Anzahl der mit den Tasten ▲ und ▼ verknüpften, gültigen Kombinationen zählen (Bezugsziffern: 6-7).

**1** Das Programmierungspasswort eingeben. – Die Taste ▼ zur Bestätigung drücken. **2** Die Ziffern "6-7" eingeben. – Die Taste ▼ zur Bestätigung drücken. **3** Um also die Anzahl der mit den Tasten ▲ und ▼ verknüpften, gültigen Kombinationen zu erhalten, zählen Sie die von der Vorrichtung ausgegebenen akustischen Tonsignale und lesen Sie die entsprechende Beschreibung in **Tabelle 4**.

### KOMBINATIONEN AKTIVIEREN UND DEAKTIVIEREN

Mit dieser Funktion können alle Kombinationen, die mit einer bestimmten Ziffer enden deaktiviert oder neu aktiviert werden. Die Deaktivierung löscht die Kombinationen nicht aus dem Speicher. • Die Verfahren 7.11 und 7.12 können wiederholt werden und dabei jedes Mal einer Zahlenkombinationsgruppe mit einer anderen letzten Ziffer betreffen.



### 7.11 (Professional) **Deaktivieren aller Kombinationen, die mit einer bestimmten Ziffer enden** (Bezugsziffer: 8).

**1** Das Programmierungspasswort eingeben. – Die Taste ▼ zur Bestätigung drücken. **2 Die Ziffer "8"** eingeben. – Die Taste ▼ zur Bestätigung drücken. **3** Die letzte Zahl der Kombinationen eingeben, die deaktiviert werden sollen. – Die Taste ▼ zur Bestätigung drücken. **4** Erneut die letzte Zahl der Kombinationen eingeben, die deaktiviert werden sollen. – Die Taste ▼ zur Bestätigung drücken. Wurde der Vorgang richtig ausgeführt, gibt die Tastatur 3 akustische Signale aus.

### 7.12 (Professional) **Reaktivieren aller Kombinationen, die mit einer bestimmten Ziffer enden** (Bezugsziffer: 9).

**1** Das Programmierungspasswort eingeben. – Die Taste ▼ zur Bestätigung drücken. **2 Die Ziffer "9"** eingeben. – Die Taste ▼ zur Bestätigung drücken. **3** Die letzte Zahl der Kombinationen eingeben, die reaktiviert werden sollen. – Die Taste ▼ zur Bestätigung drücken. **4** Erneut die letzte Zahl der Kombinationen eingeben, die reaktiviert werden sollen. – Die Taste ▼ zur Bestätigung drücken. Wurde der Vorgang richtig ausgeführt, gibt die Tastatur 3 akustische Signale aus.

### 7.13 (Professional) **Die Anzahl programmieren, die eine bestimmte Kombination verwendet werden soll** (Bezugsziffern: 1-0).

Alle gerade erstellten Kombinationen sind werkseitig auf **un-**

**begrenzte Nutzung** eingestellt. Mit diesem Verfahren kann hingegen eine Beschränkung der Verwendung einer Kombination eingestellt werden: die maximale Anzahl ist 999; höhere Werte stellen automatisch die unbegrenzte Nutzung der Kombination ein. Nach der Einstellung der Beschränkung wird jede Nutzung der Kombination mit einem Zähler herunter gezählt und sobald der Wert Null erreicht ist, kann diese Kombination nicht mehr verwendet werden.

**1** Das Programmierungspasswort eingeben. – Die Taste ▼ zur Bestätigung drücken. **2 Die Ziffern "1-0"** eingeben. – Die Taste ▼ zur Bestätigung drücken. **3** Die Kombination eingeben, deren Nutzung beschränkt werden soll. – Die Taste ▼ zur Bestätigung drücken. **4** Erneut die gleiche Kombination eingeben. – Die Taste ▼ zur Bestätigung drücken. **5** Die Anzahl eingeben, die diese Kombination maximal verwendet werden darf (Höchstwert, 999). – Die Taste ▼ zur Bestätigung drücken. Wurde der Vorgang richtig ausgeführt, gibt die Tastatur 3 akustische Signale aus.

### 7.14 (Professional) **Den gesamten, in der Betriebsart "Professional" programmierten Speicher löschen, wenn das Programmierungspasswort BEKANNT IST** (Bezugsziffer: 0).

**1** Das Programmierungspasswort eingeben. – Die Taste ▼ zur Bestätigung drücken. **2 Die Ziffer "0"** eingeben. – Die Taste ▼ zur Bestätigung drücken. **3 Erneut die Ziffer "0"** eingeben. – Die Taste ▼ zur Bestätigung drücken. **4 Die Ziffer "0"** noch einmal eingeben. – Die Taste ▼ zur Bestätigung drücken. Jetzt gibt die Vorrichtung 3 akustische Signaltöne aus, gefolgt von 5 Blinksignalen der LED "**L2**". **5** Abschlie-

End das „Selbstlernverfahren der an die Steuerung angeschlossenen Vorrichtungen“ erneut gemäß dem Handbuch der Steuerung durchführen.

Nach Abschluss des Vorgangs ist eine Neuprogrammierung der Vorrichtung notwendig. **Anmerkung** – Zu Beginn einer neuen Programmierung kann erneut ausgewählt werden, mit welcher Betriebsart die Neuprogrammierung der Vorrichtung stattfinden soll („Easy“ oder „Professional“).

.....  
**WICHTIG – Weitere in der Betriebsart „Professional“ programmierbare Funktionen sind in Kapitel 8 aufgeführt.**

## 8 - WEITERE INFORMATIONEN – DEN BEIDEN PROGRAMMIERUNGSARTEN GEMEINSAME VERFAHREN, „EASY“ UND „PROFESSIONAL“

### 8.1 - Den mit der Taste ▲ oder der Taste ▼ verknüpften Befehl ändern ▼

Mit dieser Funktion kann der mit der Taste ▲ oder der Taste ▼ verknüpfte Befehl geändert werden. Der neue Befehl wird in der Spalte „Befehl“ der **Tabelle 5** ausgewählt. **Achtung!** – Einige Steuerungen können andere Befehle haben, als in Tabelle 5 aufgeführt.

**1** Eine gültige Kombination für die Taste eingeben, für die der Befehl geändert werden soll. **2** Das Passwort mit der Taste (▲ oder ▼) bestätigen, mit der es verknüpft ist: die LED „L1“ blinkt einige Male, gefolgt von einer Pause, je nachdem, wel-

**TABELLE 5 - Mit der Taste ▲ oder der Taste ▼**

Anzeige der LED „L1“	Steuerbefehl
1 Mal Blinken + Pause	<b>SCHRITTWEISE</b> (werkseitig mit der Taste ▲ verknüpft)
2 Mal Blinken + Pause	<b>AUTOMATISCHE</b>
3 Mal Blinken + Pause	<b>SCHLIESSEN</b>
4 Mal Blinken + Pause	<b>TEILWEISE ÖFFNEN</b> (werkseitig mit der Taste ▼ verknüpft)
5 Mal Blinken + Pause	<b>STOPP</b>
6 Mal Blinken + Pause	<b>HILFSLICHT</b>

cher Befehl derzeit eingestellt ist (siehe **Tabelle 5**). **3** Mehrfach die Taste „T“ drücken, um den neuen Befehl auszuwählen (die LED „L1“ beginnt zu blinken): mit jedem Tastendruck wählt das System den nächsten Befehl in der Tabelle aus und hält die Programmierung für weitere 10 Sekunden offen. Lässt man diesen Zeitraum verstreichen, schaltet sich die LED „L1“ aus und das System bestätigt den zuvor gewählten Befehl. **4** Abschließend die unter Punkt 02 gedrückte Taste erneut drücken, um den neuen Befehl zu bestätigen.

### 8.2 - Die Automatisierung blockieren / entriegeln

Mit dieser Funktion kann der Befehl zum „blockieren“ oder „entriegeln“ der Automatisierung über Tastatur gesendet werden.

**1** Die Taste ▲ drücken: die Tastatur zeigt den Fehler „Falsche Kombination“ an. **2** Innerhalb von 10 Sekunden: • zur Blockierung des Automatismus = die Ziffer „0-0“ eingeben. • zur

Entriegelung des Automatismus = die Ziffer "1-1" eingeben.

**3** Innerhalb von 10 Sekunden eine beliebige, gültige Kombination eingeben. **4** Die Taste ▲ drücken, um die unter Punkt 02 gewählte Aktion zu bestätigen. Wurde der Vorgang richtig ausgeführt, gibt die Tastatur 3 akustische Signaltöne aus und die LED "L2" zeigt den Funktionsstatus an (siehe **Tabelle 6**).

### 8.3 - Den gesamten Speicher löschen

**1** Die Taste "T" gedrückt halten: die LED "L1" bleibt eingeschaltet; abwarten, bis sie 3 Mal blinkt und die Taste "T" während des dritten Aufblinkens loslassen. **2** Jetzt gibt die LED "L1" eine Reihe von Lichtimpulsen aus und am Ende sind 3 akustische Signaltöne zu hören, gefolgt von 5 Blinksignalen der LED auf der Vorderseite. **3** Abschließend das „Selbstlernverfahren der an die Steuerung angeschlossenen Vorrichtungen“ erneut gemäß dem Handbuch der Steuerung durchführen.

Nach Abschluss des Vorgangs ist eine Neuprogrammierung der Vorrichtung notwendig. **Anmerkung** – Zu Beginn einer neuen Programmierung kann erneut ausgewählt werden, mit welcher Betriebsart die Neuprogrammierung der Vorrichtung stattfinden soll („Easy“ oder „Professional“).

## 9 - HINWEISE FÜR DEN GEBRAUCH DER VORRICHTUNG

● Der Gebrauch der Vorrichtung basiert auf Zahlenkombinationen, die der Benutzer kennen und über die Tastatur eingeben muss, um dem Automatismus den gewünschten Befehl zu senden. ● Zur Wahrung der Sicherheit der Vorrichtung empfehlen wir, die programmierten Kombinationen (und die damit

verknüpften Befehle) nur befugten Benutzern bekannt zu geben. ● Nach Eingabe der Kombination kann der Steuerung ein Befehl durch Drücken der Steuertaste (▲ oder ▼), die mit der entsprechenden Kombination verknüpft ist, gesendet werden. ● Ist die eingegebene Kombination falsch, gibt die Vorrichtung ein akustisches Signal aus. **Wichtig!** – Wird eine Kombination drei Mal hintereinander falsch eingegeben, blockiert das System die Funktion der Vorrichtung für 60 Sekunden. Sollte Ihnen

**TABELLE 6 - Anzeigen der LED "L2"**

Anzeige der LED "L2"	Bedeutung
ROT Dauerlicht ein	Tor geschlossen und Automatisierung entriegelt
ROT Dauerlicht ein	Tor in Schließphase
ROT Dauerlicht ein	Tor weder geschlossen noch offen und Automatisierung entriegelt
GRÜN Dauerlicht ein	Tor in Öffnungsphase
GRÜN Dauerlicht ein	Tor weder geschlossen noch offen und Automatisierung blockiert
GRÜN Dauerlicht ein	Tor offen und Automatisierung blockiert
GRÜN Dauerlicht ein	Tor geschlossen und Automatisierung blockiert
ROT (3 Mal Blinken + 1 Pause)	Vorrichtung nicht mit "BlueBus" synchronisiert
ROT (2 Mal Blinken + 1 Pause)	Vorrichtung nicht adressiert (kein Jumper)

also ein Fehler bei der Eingabe einer Kombination unterlaufen, empfehlen wir, den Vorgang kurz auszusetzen, 10 Sekunden abzuwarten und dann die Kombination neu, beginnend mit der ersten Ziffer, eingeben. ● Bei der Eingabe einer Kombination haben Sie zwischen den einzelnen Ziffern 10 Sekunden Zeit; läuft diese Zeit ab, ohne dass eine Ziffer eingegeben wurde, muss die Kombination ganz von vorne, beginnend mit der ersten Ziffer, eingegeben werden. ● Während der Funktion des Automatismus gibt die LED "L2" Lichtsignale aus. Lesen Sie hierzu die **Tabelle 6**, in der die Bedeutungen beschrieben sind.

## 10 - ABNAHME

Am Ende der Programmierung muss die richtige Funktion der Vorrichtung wie folgt geprüft werden.

**A** Sicherstellen, dass die Vorgaben in Kapitel 1 - Allgemeine Warnhinweise und Vorsichtsmaßnahmen beachtet wurden.

**B** Lesen Sie in Kapitel 9 nach, wie die Vorrichtung korrekt verwendet wird. **C** Geben Sie eine gültige Kombination über die Tastatur ein und drücken Sie die Steuertaste, die mit dieser Kombination verknüpft ist. Beobachten Sie nun Folgendes... ● die LED-Signale "L1", die sie mit Hilfe der **Tabelle 5** interpretieren können; ● die LED-Signale "L2", die sie mit Hilfe der **Tabelle 6** interpretieren können; ● wird der Befehl vom Automatismus ausgeführt. Liegt ein Konflikt zwischen den Beobachtungen und den oben stehenden Interpretationen vor, dann lesen Sie in Kapitel 11 - "Was tun wenn... Lösung der Probleme" die nächsten Schritte nach. **D** Die in voranstehendem Punkt beschriebene Prüfung für jede der gespeicherten Kombinationen durchführen.

## 11 - WAS TUN, WENN... (Lösung der Probleme)

● **Die LED "L2" gibt 2 Blinksignale + Pause in der Farbe Rot.** → Auf der Rückseite der Tastatur prüfen, ob der Jumper richtig eingesetzt wurde. ● **(Mehrere Tastaturen an eine Steuerung angeschlossen). Ein Befehl wird nach dem Senden nicht ausgeführt und die LED "L2" gibt 3 Blinksignale + Pause.** → Sicherstellen, dass bei allen Tastaturen der Jumper an einer anderen Stelle eingesetzt ist, als jene, die von anderen Steuervorrichtungen "BlueBus", die in der Anlage vorhanden sind, verwendet werden. ● **Bei Drücken der Tasten gibt die Tastatur keinerlei akustisches Signal aus.** → Prüfen, dass die BM-Speicherkarte richtig eingesetzt wurde. ● **Die LED "L1" blinkt nach dem Senden eines Befehls, um anzuzeigen, dass der Befehl gesendet wurde, aber tatsächlich hat die Steuerung den Befehl nicht ausgeführt.** → Prüfen, dass der Selbstlernvorgang der Steuerung zur Erfassung der Vorrichtung richtig ausgeführt wurde. ● **Die Tastatur schaltet sich nicht ein.** → Mit einem geeigneten Instrument prüfen, ob Spannung (vdc) im "BlueBus-Netz" vorhanden ist. ● **Nach Einschalten des Stroms schaltet sich die Tastatur ein, aber die Befehle werden nicht ausgeführt.** → Prüfen, dass die Steuerung, an die die Tastatur angeschlossen ist, die "BlueBus-Verbindung" für die Steuervorrichtungen unterstützt. ● **Wird eine Kombination mehr als 3 Mal falsch eingegeben, blockiert sich die Tastatur und gibt regelmäßige akustische Signaltöne aus.** → Die Tastatur entriegelt sich nach 1 Minute automatisch wieder. ● **Antwortet der Automatismus nicht auf die Sendung eines Befehls und die LED "L2" bleibt dauerhaft eingeschaltet mit grünem Licht.** → Wurde möglicherweise versehentlich ein Blockierungsbefehl an

den Automatismus gesendet. In diesem Fall den Automatismus mit dem in Abschnitt 8.2.2. beschriebenen Verfahren entriegeln.

## 12 - WARTUNG DES PRODUKTES

Das Produkt benötigt keine besondere Wartung; wir empfehlen, die Außenflächen mit einem weichen, leicht mit Wasser befeuchteten Tuch zu reinigen. Verwenden Sie keine scharfen oder scheuernden Substanzen wie Reinigungsmittel, Lösungsmittel u.ä.

## 13 - ENTSORGUNG DES PRODUKTES

Dieses Produkt ist ein vervollständigender Teil der Automatisierung und muss somit gemeinsam mit dieser entsorgt werden. Wie die Installationsarbeiten muss auch die Demontage am Ende der Lebensdauer dieses Produktes von Fachpersonal ausgeführt werden. Dieses Produkt besteht aus verschiedenen Stoffen, von denen einige recycelt werden können, andere müssen dagegen entsorgt werden. Informieren Sie sich über die Recycling- oder Entsorgungssysteme für dieses Produkt, die von den auf Ihrem Gebiet gültigen Verordnungen vorgesehen sind.

**Achtung!** – Bestimmte Teile des Produktes können Schadstoffe oder gefährliche Substanzen enthalten, die – falls sie in die Umwelt gelangen – schädliche Auswirkungen auf die Umwelt und die menschliche Gesundheit haben könnten. • Wie durch das Symbol seitlich angegeben, ist es verboten, dieses Produkt zum Haushaltsmüll zu geben. Daher differenziert nach den Methoden entsorgen, die von den auf Ihrem Gebiet gültigen Verordnungen vorgesehen sind, oder das Produkt dem Verkäufer beim Kauf eines neuen, gleichwertigen Produktes zurückgeben. **Achtung!** – die örtlichen Verordnungen können schwere Strafen im Fall ei-



ner widerrechtlichen Entsorgung dieses Produktes vorsehen. • Das Verpackungsmaterial des Produkts muss in Übereinstimmung mit den örtlichen Vorschriften entsorgt werden.

## TECHNISCHE MERKMALE

**HINWEISE:** • Alle technischen Merkmale beziehen sich auf eine Umgebungstemperatur von 20°C (±5°C). • Nice S.p.a. behält sich das Recht vor, jederzeit als nötig betrachtete Änderungen am Produkt vorzunehmen, wobei Funktionalitäten und Einsatzzweck beibehalten werden.

• **Typ:** Nummern-Steuervorrichtung. • **Eingesetzte Technologie:** Protokoll "BlueBus" (Standard von Nice Spa) für den Anschluss und die Kommunikation über Bus-Kabel. • **Rückbeleuchtung der Tasten:** rot. • **Länge des Anschlusskabels:** siehe Handbuch der Steuerung. • **Versorgung:** über das "BlueBus-System" von Nice Spa. • **Stromaufnahme:** 1,5 "BlueBus-Einheit". • **Speicherkapazität:** 255 Kombinationen auf herausnehmbarer Speicherkarte BM1000 (die maximale Anzahl von speicherbaren Kombinationen hängt von dem Modell der installierten Speicherkarte ab). • **Isolierung:** Klasse III. • **Schutzart des Behälters:** EDSB = IP 44; EDSIB = IP 54. • **Betriebstemperatur:** von -20 °C bis +55 °C. • **Benutzung in säure-, salzhaltiger oder explosionsgefährdeter Atmosphäre:** Nein. • **Montage:** EDSB - an vertikaler Wand, an PPK-Säule oder PPH2-Säule (mit EKA01-Adapter); EDSIB - in vertikale Wand eingebaut. Mit dem Zubehör EKA02 auch mit einem nicht von Nice hergestellten Einbaugeschloß installierbar. • **Abmessungen (mm):** EDS = 70 x 70 x 27; EDSI = 70 x 70 x 78 (13 mm Außenseite bei eingebautem Produkt). • **Gewicht (g):** EDSB = 245; EDSIB = 205.

## 1 - OSTRZEŻENIA I OGÓLNE ŚRODKI OSTROŻNOŚCI

**UWAGA!** ● Ważne informacje dotyczące bezpieczeństwa. ● Dla bezpieczeństwa osób ważne jest przestrzeganie tych instrukcji; dlatego przed rozpoczęciem pracy należy dokładnie przeczytać instrukcję obsługi. ● Należy zachować niniejszą instrukcję. ● Przed rozpoczęciem instalacji, należy sprawdzić, czy niniejszy produkt jest odpowiedni dożądanego rodzaju zastosowania (należy przeczytać rozdziały „Ograniczenia w użytkowaniu” oraz „Parametry techniczne urządzenia”). Jeżeli produkt nie jest odpowiedni, NIE należy wykonywać montażu. ● Podczas montażu należy delikatnie obchodzić się z urządzeniem, chroniąc je przed zgnieceniem, uderzeniem, upadkiem lub kontaktem z jakiegokolwiek rodzaju płynami. Nie umieszczać urządzeń w pobliżu źródeł ciepła i nie wystawiać go na działanie otwartego ognia. Opisane powyżej sytuacje mogą doprowadzić do uszkodzenia urządzenia, być przyczyną nieprawidłowego działania lub spowodować zagrożenia. Jeśli doszłoby do którejś z powyżej opisanych sytuacji, należy natychmiast przerwać montaż i zwrócić się o pomoc do Serwisu Technicznego Nice. ● Nie wolno modyfikować żadnej części urządzenia. Niedozwolone działania mogą być przyczyną nieprawidłowego funkcjonowania. Producent zrzeka się wszelkiej odpowiedzialności za szkody wynikające z używania produktu modyfikowanego samowolnie. ● Produkt nie jest przeznaczony do obsługi przez osoby (w tym dzieci) o ograniczonych zdol-


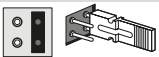
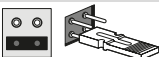
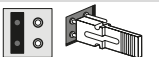
nościach fizycznych, zmysłowych bądź umysłowych lub przez osoby nieposiadające odpowiedniego doświadczenia i wiedzy.

● Produkt nie jest skutecznym systemem przeciwwłamaniowym. Aby zabezpieczenie było bardziej skuteczne, należy zintegrować automatykę z innymi urządzeniami zabezpieczającymi.

## 2 - OPIS PRODUKTU I JEGO PRZEZNACZENIE

Niniejszy produkt jest **przełącznikiem cyfrowym z kombinacją numeryczną** i jest częścią gamy **ERA**. Przeznaczony jest do sterowania automatyką drzwi, bram wjazdowych, bram garażowych i podobnych; umożliwia kontrolę i dostęp do miejsc i usług zastrzeżonych wyłącznie dla upoważnionego personelu. Urządzenie działa tylko z produktami Nice wyposażonych w technologię „BlueBus”, która obsługuje urządzenia sterujące. **UWAGA!** – **Wszelkie inne użycie oraz wykorzystywanie produktu w warunkach otoczenia odmiennych, niż te przedstawione w niniejszym podręczniku, jest niezgod-**

TABELA 1 - Adresy zainstalowanych urządzeń

Adres - 1	Adres - 2
	
Adres - 3	Adres - 4
	

**ne z przeznaczeniem i zabronione!** ● Urządzenie komunikuje się z centralą sterującą oraz innymi urządzeniami, za pomocą systemu „BlueBus”. System ten zapewnia połączenia „równoległe”, bez polaryzacji, przeprowadzane kablem 2 przewodowym, przez które biegnie zasilanie elektryczne oraz sygnały komunikacyjne. Dla każdego podłączonego urządzenia należy przez ustawienie zworek ustawić adres, który musi być inny od adresów urządzeń pozostałych (**Tabela 1**) tak, aby urządzenie mogło zostać rozpoznana przez centralę w procesie „uczenia się.” W celu zagwarantowania bezpieczeństwa przed fałszywymi próbami zastąpienia urządzenia, podczas trybu uczenia się, centrala tworzy dodatkowy związek kodowany z każdym urządzeniem. Więcej informacji na temat systemu „BlueBus” znajduje się w instrukcji centrali. ● Urządzenie pozwala na sterowanie automatyką tylko, jeśli użytkownik zna kombinację w połączeniu z poleceniem, które chcesz wysłać. Zainstalowana karta pamięci (mod. BM1000) pozwala na zapisanie do 255 kombinacji. Połączenia między kombinacjami i poleceniami zapisywane są podczas fazy programowania, za pomocą procedur opisanych w tej instrukcji. Alternatywnie, karta pamięci może być usunięta i zaprogramowana bezpośrednio z jednostki programowania Nice (O-BOX lub MOU).

### 3 - OGRANICZENIA ZWIĄZANE Z ZASTOSOWANIEM PRODUKTU

● Produkt można podłączać tylko do centrali sterowania Nice Spa, wyposażonej w technologię „BlueBus”, która obsługuje urządzenia sterujące. ● Do jednej centrali sterowania „BlueBus” można podłączyć do 4 urządzeń: ETPB (czytnik kart zbliżeniowych), EDSB, EDSIB (klawiatury cyfrowe z kombina-

cją). ● Przed przystąpieniem do instalacji należy zapoznać się z rozdziałem „Parametry techniczne” w celu sprawdzenia, czy warunki, w których produkt ma być używany znajdują się w granicach określonych przez producenta.

## 4 - MONTAŻ I PODŁĄCZENIA ELEKTRYCZNE

### — Zalecenia dotyczące instalacji —

● Model EDSB musi być zainstalowany na pionowej ścianie, natomiast model EDSIB musi być zabudowany w pionowej ścianie. ● Aby ułatwić aktywację kombinacji oraz poleceń, umieścić produkt około 1,5 m od ziemi. ● Miejsce, powierzchnia oraz lokalizacja wybrana do instalacji muszą być zgodne z wymiarami produktu, musi być zapewniony odpowiedni dostęp do użytkownika oraz konserwacji produktu, należy zapewnić bezpieczeństwo produktu oraz ochronę przed przypadkowymi uderzeniami, mocowanie musi być stabilne i pewne.

### — Fazy instalacji —

**1** Przeczytać instrukcję obsługi centrali sterującej oraz zidentyfikować charakterystykę przewodów elektrycznych, które mają być wykorzystane. **2** Przeczytać ostrzeżenia zamieszczone na początku rozdziału 4 w celu określenia pozycji, w której należy zamontować przewidziane urządzenia. **3** Przygotować rury zabezpieczające kabli elektrycznych. **4** Przymocować każde przewidziane urządzenie, jak wskazano na **rys. 1, 2, 3, 4, 5** - (EDSB) / **1, 2, 3, 4** - (EDSIB). **5 UWAGA! – Wszystkie połączenia muszą być wykonane przy odłączonym zasilaniu;** Przeciągnąć kable elektryczne przez rury zabezpieczające i połączyć urządzenia „równoległe”, tak jak to pokazano na **rys. 6** - (EDSB) / **5** - (EDSIB): nie jest konieczne

przestrzeżenie bieżąco. **6** W tym momencie, w przypadku instalowania wielu urządzeń (do 4 urządzeń, także biorąc pod uwagę czytniki kart z transponderami, ETPB) konieczne jest, aby zmienić położenie zworki w każdym z nich (**rys. 7** - EDSB / **6** - EDSIB), wybierając nowy adres z **Tabeli 1. Uwaga!** - Każde urządzenie musi mieć inny adres od tych stosowanych w urządzeniach pozostałych. **7** Podłączyć zasilanie elektryczne do centrali sterującej: dioda LED „L2” (**rys. 8** - EDSB / **7** - EDSIB) miga w celu wskazania typu i stanu pamięci BM zainstalowanej w urządzeniu (patrz **Tabela 2** w celu zrozumienia znaczenia migania), po których następuje 5 wolnych mignięć, jeżeli pamięć jest pusta. **8** Zlokalizować w instrukcji obsługi centrali sterującej procedurę „Rozpoznawanie, urządzenia podłączone do centrali”; następnie uruchomić ją (pozwoli to na rozpoznanie przez centralę każdego podłączonego urządzenia „BlueBus”). **9** Wykonać **Programowanie** urządzenia, odwołując się do rozdziałów 5, 6, 7, 8. **10** Na koniec programowania przeczytać rozdział 9 dotyczący używania urządzenia; następnie wykonać procedurę **Próby odbiorczej** opisaną w rozdziale 10, w celu sprawdzenia prawidłowości działania zainstalowanych urządzeń. **11** Następnie zakończyć instalację tak jak to przedstawiono na **rys. 9, 10** - (EDSB) / **8, 9** - (EDSIB).

## 5 - ZALECENIE DOTYCZĄCE PROGRAMOWANIA

### 5.1 - Kombinacje oraz ich skojarzenie z poleceniami

● Kombinacja to „klucz dostępu”, który można zaprogramować według potrzeb i wymagań użytkownika. Może być utworzona z **jednej lub większej liczby cyfr, maksymalnie dzie-**

**więciu**, a każda cyfra może przyjmować pożądaną wartość liczbową od „0” do „9”. ● Kombinacja może być połączona z jednym lub oboma przyciskami pilota (▲ oraz ▼), na podstawie procedury wybranej do zaprogramowania. — **Jeżeli kombinacja połączona jest z jednym przyciskiem pilota** (▲ lub ▼), podczas użycia należy nacisnąć tylko przycisk pilota, do którego przypisana jest kombinacja (naciśnięcie drugiego przycisku nie da żadnego efektu). — **Jeżeli kombinacja połączona jest z oboma przyciskami pilota** (▲ oraz ▼), podczas użycia urządzenia, po wprowadzeniu kombinacji możliwe jest naciśnięcie jednego lub drugiego przycisku: dzięki temu możliwe jest wysłanie dwóch różnych poleceń przy pomocy

**TABELA 2** - Sygnały kontrolki Led „L2” dotyczące pamięci BM

Miganie kontrolki Led „L2”	Znaczenie
1 mignięcie w kolorze czerwonym	BM60
2 mignięcia w kolorze czerwonym	BM250
3 mignięcia w kolorze czerwonym	BM1000
4 mignięcia w kolorze czerwonym	Oznacza, że są zapamiętane nieprawidłowe kody
5 mignięć w kolorze czerwonym	Wystąpił błąd podczas odczytu pamięci
5 mignięć (powolnych) w kolorze czerwonym	Pamięć pusta



tej samej kombinacji. ● Urządzenie opuszcza fabrykę z przyciskiem ▲ przypisanym do polecenia „Krok Po Kroku” oraz przyciskiem ▼ przypisanym do polecenia „Otwarcie częściowe”. Można zmienić te polecenia za pomocą procedury 8.1.1 i 8.1.2. ● Podczas fazy programowania urządzenie wydaje dźwięki sygnalizujące prawidłowe działanie lub błąd. Patrz **Tabela 3**, aby zrozumieć znaczenie sygnału akustycznych.

## 5.2 - Podział procedur programowania

- Wszystkie procedury programowania zawarte w tej instrukcji są podzielone na dwie sekcje:
  - **programowanie w trybie „ŁATWY”**
  - **programowanie w trybie „PROFESJONALNY”**
- **Co to jest tryb „ŁATWY”:** tryb ten umożliwia zaprogramo-

TABELA 3 - Sygnały akustyczne podczas programowania	
Sygnał akustyczny	Znaczenie
<b>1 sygnał</b>	Oznacza zwykłe naciśnięcie przycisku.
<b>2 krótkie sygnały + 1 kolejny</b>	Oznacza wprowadzenie nieprawidłowej kombinacji.
<b>3 sygnały</b>	Oznacza prawidłowe zakończenie procedury programowania.
<b>1 regularny sygnał</b>	Po 3 krotnym błędnym wprowadzeniu hasła, oznacza że klawiatura pozostanie zablokowana przez 1 minutę.
<b>Serie sygnałów</b>	Oznacza że wystąpił błąd oraz procedura nie powiodła się.

wanie tylko jednej kombinacji do przycisków ▲ i ▼. Alternatywnie można zaprogramować dwie różne kombinacje: jedna dla przycisku ▲ oraz drugą dla ▼. W trybie „Łatwy” można również wykonać inne funkcje opisane w rozdziale 8.

- **Co to jest tryb „PROFESJONALNY”:** tryb ten umożliwia zaprogramowanie do 255 kombinacji (liczba ta może się różnić w zależności od zainstalowanej karty pamięci). Aby wykonać procedury należące do tego trybu, należy wprowadzić „**hasło dla programowania Profesjonalnego**”, składające się z **7 cyfr** (hasło ustawione fabrycznie to: **0-3-3-3-3-3-3**). **UWAGA! – Nie wolno zapomnieć hasła, ponieważ w przeciwnym razie trzeba będzie usunąć całą pamięć i wykonać programowanie od początku.** W trybie „Profesjonalny” można również wykonać inne funkcje opisane w rozdziale 8.
- **Te dwa rodzaje programowania „Łatwy” i „Profesjonalny” są alternatywą dla siebie:** co oznacza że wybór jednego z dwóch musi być dokonany przed rozpoczęciem fazy programowania, czyli kiedy pamięć jest jeszcze pusta. Następnie, jeśli chcesz zmienić tryb programowania (z „Łatwy” na „Profesjonalny” lub na odwrót), trzeba najpierw skasować całą pamięć urządzenia.

## 6 - PROCEDURY PROGRAMOWANIA URZĄDZENIA W TRYBIE „ŁATWY”

**6.1 (Easy) Programowanie JEDNEJ kombinacji dla przycisków ▲ oraz ▼** (procedura ta jest alternatywna do procedury opisanej w paragrafie 6.2).

- 1** Nacisnąć przycisk „T”.
- 2** W ciągu 30 sekund, wprowadzić

żądaną kombinację (minimalnie 1, maksimum 9 cyfr). **3** Naciśnąć raz przycisk ▲ oraz przycisk ▼. Jeżeli procedura została wykonana poprawnie, klawiatura wyda 3 sygnały dźwiękowe.

## **6.2 (Easy) Programowanie DWÓCH różnych kombinacji: jednej dla przycisku ▲ oraz drugiej dla przycisku ▼** (procedura ta jest alternatywna do procedury opisanej w paragrafie 6.1).

**1** Naciśnąć przycisk „T”. **2** W ciągu 30 sekund, **wprowadzić PIERWSZĄ** żądaną kombinację (minimalnie 1, maksimum 9 cyfr). **3** Naciśnąć 2 razy przycisk ▲. Jeżeli procedura została wykonana poprawnie, klawiatura wyda 3 sygnały dźwiękowe. **4** Poczekać 5 sekund. **5** Naciśnąć przycisk „T”. **6** W ciągu 30 sekund, **wprowadzić DRUGĄ** żądaną kombinację (minimalnie 1, maksimum 9 cyfr). **7** Naciśnąć 2 razy przycisk ▼. Jeżeli procedura została wykonana poprawnie, klawiatura wyda 3 sygnały dźwiękowe.

.....  
**WAŻNE – Więcej funkcji możliwych do zaprogramowania w trybie „Łatwy” opisanych jest w rozdziale 8.**

## **7 - PROCEDURY PROGRAMOWANIA URZĄDZENIA W TRYBIE „PROFESJONALNY”**

### **7.1 (Professional) Programowanie kombinacji do przypisania do przycisku ▲** (cyfra odniesienia: **1**).

**1** Wpisać hasło programowania. – Naciśnąć przycisk ▼, aby potwierdzić. **2** **Wprowadzić cyfrę „1”**. – Naciśnąć przy-

cisk ▼, aby potwierdzić. **3** Wprowadzić żądaną kombinację. – Naciśnąć przycisk ▼, aby potwierdzić. **4** Wprowadzić ponownie żądaną kombinację. – Naciśnąć przycisk ▼, aby potwierdzić.

### **7.2 (Professional) Programowanie kombinacji do przypisania do przycisku ▼** (cyfra odniesienia: **2**).

**1** Wpisać hasło programowania. – Naciśnąć przycisk ▼, aby potwierdzić. **2** **Wprowadzić cyfrę „2”**. – Naciśnąć przycisk ▼, aby potwierdzić. **3** Wprowadzić żądaną kombinację. – Naciśnąć przycisk ▼, aby potwierdzić. **4** Wprowadzić ponownie żądaną kombinację. – Naciśnąć przycisk ▼, aby potwierdzić.

### **7.3 (Professional) Programowanie kombinacji do przypisania do przycisków ▲ oraz ▼** (cyfra odniesienia: **1-2**).

**1** Wpisać hasło programowania. – Naciśnąć przycisk ▼, aby potwierdzić. **2** **Wprowadzić cyfry „1-2”**. – Naciśnąć przycisk ▼, aby potwierdzić. **3** Wprowadzić żądaną kombinację. – Naciśnąć przycisk ▼, aby potwierdzić. **4** Wprowadzić ponownie żądaną kombinację. – Naciśnąć przycisk ▼, aby potwierdzić.

### **7.4 (Professional) Zmiana Hasła dla programowania Profesjonalnego** (cyfra odniesienia: **3**).

Hasło można zmieniać dowolną ilość razy (wprowadzone fabrycznie to: **0-3-3-3-3-3-3**). Aby móc dokonać modyfikacji należy pamiętać ostatnio najnowsze ważne hasło.

**1** Wpisać hasło programowania. – Nacisnąć przycisk ▼, aby potwierdzić. **2** **Wprowadzić cyfrę „3”**. – Nacisnąć przycisk ▼, aby potwierdzić. **3** Wpisać **nowe hasło** dla programowania „Profesjonalnego”, składające się z **siedmiu wybranych cyfr**. – Nacisnąć przycisk ▼, aby potwierdzić. **4** Wprowadzić ponownie to samo hasło (właśnie stworzone). – Nacisnąć przycisk ▼, aby potwierdzić.

---

**7.5 (Professional) Anulowanie JEDNEJ kombinacji przypisanej do przycisku ▲** (cyfra odniesienia: 4).

**1** Wpisać hasło programowania. – Nacisnąć przycisk ▼, aby potwierdzić. **2** **Wprowadzić cyfrę „4”**. – Nacisnąć przycisk ▼, aby potwierdzić. **3** Wpisać kombinację wybraną do anulowania, spośród przypisanych do przycisku ▲. – Nacisnąć przycisk ▼, aby potwierdzić. **4** Wprowadzić ponownie żadaną kombinację do anulowania. – Nacisnąć przycisk ▼, aby potwierdzić.

---

**7.6 (Professional) Anulowanie JEDNEJ kombinacji przypisanej do przycisku ▼** (cyfra odniesienia: 5).

**1** Wpisać hasło programowania. – Nacisnąć przycisk ▼, aby potwierdzić. **2** **Wprowadzić cyfrę „5”**. – Nacisnąć przycisk ▼, aby potwierdzić. **3** Wpisać kombinację wybraną do anulowania, spośród przypisanych do przycisku ▼. – Nacisnąć przycisk ▼, aby potwierdzić. **4** Wprowadzić ponownie żadaną kombinację do anulowania. – Nacisnąć przycisk ▼, aby potwierdzić.

---

**7.7 (Professional) Anulowanie JEDNEJ kombinacji przypisanej do przycisków ▲ oraz ▼** (cyfra odniesienia: 4-5).

**1** Wpisać hasło programowania. – Nacisnąć przycisk ▼, aby potwierdzić. **2** **Wprowadzić cyfry „4-5”**. – Nacisnąć przycisk ▼, aby potwierdzić. **3** Wpisać kombinację wybraną do anulowania, spośród przypisanych do przycisków ▲ oraz ▼. – Nacisnąć przycisk ▼, aby potwierdzić. **4** Wprowadzić ponownie żadaną kombinację do anulowania. – Nacisnąć przycisk ▼, aby potwierdzić.

---

**7.8 (Professional) Policzyć ilość ważnych kombinacji przypisanych do przycisku ▲** (cyfra odniesienia: 6).

**1** Wpisać hasło programowania. – Nacisnąć przycisk ▼, aby potwierdzić. **2** **Wprowadzić cyfrę „6”**. – Nacisnąć przycisk ▼, aby potwierdzić. **3** Aby uzyskać ilość ważnych kombinacji przypisanych do przycisku ▲, należy policzyć sekwencje tonów emitowanych przez urządzenie oraz odczytać znaczenie w **Tabeli 4**.

**Uwaga** – Aby poznać całkowitą ilość przypisanych do przycisku ▲, należy zsumować także kombinacje przypisane do obu przycisków ▲ oraz ▼, następnie należy obliczyć przy pomocy procedury z paragrafu 7.10.

---

**7.9 (Professional) Policzyć ilość ważnych kombinacji przypisanych do przycisku ▼** (cyfra odniesienia: 7).

**1** Wpisać hasło programowania. – Nacisnąć przycisk ▼, aby potwierdzić. **2** **Wprowadzić cyfrę „7”**. – Nacisnąć przycisk ▼, aby potwierdzić. **3** Aby uzyskać ilość ważnych kombinacji przypisanych do przycisku ▼, należy policzyć sekwencje tonów emitowanych przez urządzenie oraz odczytać znaczenie w **Tabeli 4**.

**Uwaga** – Aby poznać całkowitą ilość przypisanych do przycisku ▼, należy zsumować także kombinacje przypisane do obu przycisków ▲ oraz ▼, następnie należy obliczyć przy pomocy procedury z paragrafu 7.10.

### 7.10 (Professional) **Policzyć ilość ważnych kombinacji przypisanych do przycisków ▲ oraz ▼** (cyfra odniesienia: 6-7).

**1** Wpisać hasło programowania. – Nacisnąć przycisk ▼,

<b>TABELA 4</b> - Ilość zapamiętanych kombinacji	
Sekwencje dźwięków emitowane są w kolejności: setki, dziesiątki i jednostki.	
<b>3 sygnały</b>	<b>1 setka</b> (np.: 2 sekwencje 3 sygnałów = 200 kombinacji)
<b>2 sygnały</b>	<b>1 dziesiątka</b> (np.: 3 sekwencje 2 sygnałów = 30 kombinacji)
<b>1 sygnał</b>	<b>1 jednostka</b> (np.: 5 sekwencji 1 sygnału = 5 kombinacji)
<b>1 sygnał</b> (10 sekwencji)	cyfra „zero”

aby potwierdzić. **2** **Wprowadzić cyfry „6-7”**. – Nacisnąć przycisk ▼, aby potwierdzić. **3** Aby uzyskać ilość ważnych kombinacji przypisanych do przycisków ▲ oraz ▼, należy policzyć sekwencje tonów emitowanych przez urządzenie oraz odczytać znaczenie w **Tabeli 4**.

### DEZAKTYWACJA I PONOWNNA AKTYWACJA KOMBINACJI

Funkcja ta pozwala wyłączyć lub włączyć ponownie, wszystkie kombinacje, które kończą się danym numerem. Dezaktywacja nie powoduje usunięcia kombinacji z pamięci. • Procedury 7.11 oraz 7.12 mogą być powtarzane, za każdym razem z udziałem grupy kombinacji przypisanej do innego numeru.

### 7.11 (Professional) **Dezaktywacja wszystkich kombinacji przypisanych do danego numeru** (cyfra odniesienia: 8).

**1** Wpisać hasło programowania. – Nacisnąć przycisk ▼, aby potwierdzić. **2** **Wprowadzić cyfrę „8”**. – Nacisnąć przycisk ▼, aby potwierdzić. **3** Wprowadzić ostatni numer kombinacji, którą chcesz dezaktywować. – Nacisnąć przycisk ▼, aby potwierdzić. **4** Wprowadzić na nowo ostatni numer kombinacji, którą chcesz dezaktywować. – Nacisnąć przycisk ▼, aby potwierdzić. Jeżeli procedura została wykonana poprawnie, klawiatura wyda 3 sygnały dźwiękowe.

### 7.12 (Professional) **Ponowna aktywacja wszystkich kombinacji przypisanych do danego numeru** (cyfra odniesienia: 9).

**1** Wpisać hasło programowania. – Nacisnąć przycisk ▼, aby potwierdzić. **2** **Wprowadzić cyfrę „9”**. – Nacisnąć przycisk ▼, aby potwierdzić. **3** Wprowadzić ostatni numer kombinacji, którą chcesz ponownie aktywować. – Nacisnąć przycisk ▼, aby potwierdzić. **4** Wprowadzić na nowo ostatni numer kombinacji, którą chcesz ponownie aktywować. – Nacisnąć przycisk ▼, aby potwierdzić. Jeżeli procedura została wykonana poprawnie, klawiatura wyda 3 sygnały dźwiękowe.

### **7.13 (Professional) Programowanie ilości razy, które kombinacja ma być użyta** (cyfry odniesienia: **1-0**).

Wszystkie stworzone kombinacje mają fabrycznie ustawione **nieograniczone użycie**. Procedura ta pozwala natomiast ustawić pożądaną granicę użycia kombinacji: maksymalna liczba to 999; wyższe wartości oznaczają nieograniczone użycie kombinacji. W konsekwencji, przy każdym użyciu danej kombinacji system uruchamia odpowiedni licznik, który jeżeli dojdzie do zera blokuje użycie tej kombinacji.

**1** Wpisać hasło programowania. – Nacisnąć przycisk ▼, aby potwierdzić. **2** **Wprowadzić cyfry „1-0”**. – Nacisnąć przycisk ▼, aby potwierdzić. **3** Wprowadzić kombinację dla której zamierzasz ograniczyć użycie. – Nacisnąć przycisk ▼, aby potwierdzić. **4** Wprowadzić ponownie żadaną kombinację. – Nacisnąć przycisk ▼, aby potwierdzić. **5** Wprowadź liczbę razy, które chcesz użyć kombinacji (wartość maksymalna 999). – Nacisnąć przycisk ▼, aby potwierdzić. Jeżeli procedura została wykonana poprawnie, klawiatura wyda 3 sygnały dźwiękowe.

### **7.14 (Professional) Anulowanie całej pamięci zaprogramowanej w trybie „Profesjonalnym”, jeżeli ZNANE JEST hasło dla programowania** (cyfra odniesienia: **0**).

**1** Wpisać hasło programowania. – Nacisnąć przycisk ▼, aby potwierdzić. **2** **Wprowadzić cyfrę „0”**. – Nacisnąć przycisk ▼, aby potwierdzić. **3** **Wprowadzić ponownie cyfrę „0”**. – Nacisnąć przycisk ▼, aby potwierdzić. **4** **Wprowadzić jeszcze raz cyfrę „0”**. – Nacisnąć przycisk ▼, aby potwierdzić. W tym momencie urządzenie wyda 3 dźwięki następnie dioda Led „L2” zamiga 5 razy. **5** Następnie, należy wykonać ponownie procedurę „wczytywania urządzeń podłączonych do centrali”, zgodnie z jej instrukcją obsługi.

Po zakończeniu procedury, należy zaprogramować nowe urządzenie. **Uwaga** – na początku nowego programowania będzie można ponownie wybrać tryb, jaki pragnie się zastosować w celu zaprogramowania urządzenia („Easy” lub „Professional”).

**WAŻNE – Więcej funkcji możliwych do zaprogramowania w trybie „Profesjonalny” opisanych jest w rozdziale 8.**

## **8 - INFORMACJE SZCZEGÓŁOWE – PROCEDURY WSPÓLNE DLA DWÓCH TRYBÓW PROGRAMOWANIA, „EASY” I „PROFESSIONAL”**

### **8.1 - Zmiana komendy przypisanej do przycisku ▲ lub przycisku ▼**

Funkcja ta pozwala zmienić komendę przypisaną do przyci-

sku ▲ lub przycisku ▼. Nową komendę należy wybrać z kolumny „Komenda” w **Tabeli 5**. **Uwaga!** – Niektóre centrale mogą mieć komendy inne niż opisane w tabeli 5.

**1** Wprowadzić ważną kombinację dla przycisku, dla którego ma być zmieniona komenda. **2** Potwierdzić hasło naciskając przypisany przycisk (▲ lub ▼): dioda „L1” wyemituje błyski, po których komenda przestanie funkcjonować (patrz **Tabela 5**). **3** Naciskać przycisk „T”, aby wybrać od nowa odpowiednią komendę (dioda Led „L1” zaczyna migać): za każdym naciśnięciem przycisku system wybiera kolejną komendę, z podanych w tabeli, i pozostaje otwarte na programowanie przez kolejne 10 sekund. Jeżeli upłynie ten czas dioda Led „L1” zgaśnie, a system potwierdzi wcześniej wybraną komendę. **4** Na koniec nacisnąć przycisk ten sam co w punkcie 02, aby potwierdzić wybraną komendę.

## 8.2 - Blokowanie / odblokowywanie automatyki

Funkcja ta pozwala na wysyłanie, za pomocą klawiatury, komendy „zablokuj” lub „odblokuj” dla automatyki.

**1** Nacisnąć przycisk ▲: klawiatura zasygnalizuje błąd „nieprawidłowej kombinacji”. **2** W ciągu 10 sekund: • aby zablokować automatykę = wprowadzić „0-0”. • aby odblokować automatykę = wprowadzić „1-1”. **3** W ciągu 10 sekund wprowadzić dowolną ważną kombinację. **4** Nacisnąć przycisk ▲, aby potwierdzić działanie wybrane w punkcie 02. Jeżeli procedura została wykonana prawidłowo, klawiatura wyemituje 3 dźwięki, a kontrolka Led „L2” wskaże stan działania (patrz **Tabela 6**).

**TABELA 5 - Komendy przypisane do przycisku ▲ lub ▼**

Sygnalizacja kontrolki Led „L1”	Polecenie
1 mignięcie + pauza	<b>KROK PO KROKU</b> (przypisane fabrycznie do przycisku ▲)
2 mignięcia + pauza	<b>OTWARCIE</b>
3 mignięcia + pauza	<b>ZAMKNIĘCIE</b>
4 mignięcia + pauza	<b>OTWARCIE CZĘŚCIOWE</b> (przypisane fabrycznie do przycisku ▼)
5 mignięć + pauza	<b>STOP</b>
6 mignięć + pauza	<b>ŚWIATEŁKO NOCNE</b>

## 8.3 - Kasowanie całej pamięci

**1** Nacisnąć i przytrzymać przycisk „T”: kontrolka Led „L1” zapala się; następnie poczekać na 3 mignięcia i zwolnić przycisk „T” podczas trzeciego mignięcia. **2** W tym momencie kontrolka Led „L1” wyemituje serię impulsów świetlnych, następnie 3 tony akustyczne oraz 5 mignięć przedniej diody Led. **3** Następnie, należy wykonać ponownie procedurę „wczytywania urządzeń podłączonych do centrali”, zgodnie z jej instrukcją obsługi.

Po zakończeniu procedury, należy zaprogramować nowe urządzenie. **Uwaga** – na początku nowego programowania będzie można ponownie wybrać tryb, jaki pragnie się zastosować w celu zaprogramowania urządzenia („Easy” lub „Professional”).

## 9 - OSTRZEŻENIA DOTYCZĄCE UŻYTKOWNIA

● Zastosowanie urządzenie opiera się na kombinacji liczb, które użytkownik musi znać i wpisać na klawiaturze tak, aby móc wysłać polecenia dla automatyki. ● Aby zachować bez-

TABELA 6 - Sygnalizacja kontrolki Led „L2”	
Sygnalizacja kontrolki Led „L2”	Znaczenie
CZERWONY światło stałe	Brama zamknięta i automatyka odblokowana
CZERWONY światło stałe	Brama w fazie zamykania
CZERWONY światło stałe	Brama ani zamknięta ani otwarta i automatyka odblokowana
ZIELONY światło stałe	Brama w fazie otwierania
ZIELONY światło stałe	Brama ani zamknięta ani otwarta i automatyka zablokowana
ZIELONY światło stałe	Brama otwarta i automatyka zablokowana
ZIELONY światło stałe	Brama zamknięta i automatyka zablokowana
CZERWONY (3 mignięcia + 1 pauza)	Urządzenie nie jest zsynchronizowane w „BlueBus”
CZERWONY (2 mignięcia + 1 pauza)	Urządzenie bez adresu (bez zworki)

pieczeństwo urządzenia, zaleca się ujawnianie zaprogramowanych kombinacji (oraz powiązanych z nimi komend) tylko użytkownikom autoryzowanym mogącym korzystać z automatyki. ● Po wprowadzeniu kombinacji możliwe jest wysłanie komendy przez naciśnięcie przycisku (▲ lub ▼) przypisanego do tej kombinacji. ● Jeżeli wprowadzona kombinacja jest błędna, urządzenie wyda sygnał akustyczny. **Ważne!** – Po trzecim błędnym wprowadzeniu kombinacji, system blokuje działanie urządzenia na 60 sekund. Dlatego też, jeżeli podczas wprowadzania kombinacji popełniony zostanie błąd, zaleca się odczekać 10 sekund i ponownie rozpocząć wprowadzenie kombinacji od pierwszej cyfry. ● Podczas wprowadzania kombinacji jeżeli pomiędzy cyframi nastąpi przerwa powyżej 10 sekund; konieczne będzie ponowne wprowadzenie całej kombinacji od pierwszej cyfry. ● Podczas działania automatyki kontrolka Led „L2” wysyła sygnały świetlne. Patrz **Tabela 6**, aby zrozumieć ich znaczenie.

## 10 - ODBIÓR

Po zakończeniu programowania konieczne jest sprawdzenie funkcjonowania urządzenia, w poniżej opisany sposób.

**A** Upewnić się że zostały zastosowane uwagi z rozdziału 1 - Zalecenia ogólne i środki ostrożności. **B** Przeczytać rozdział 9 dotyczący prawidłowego użycia. **C** Wprowadzić na klawiaturze prawidłową kombinację i nacisnąć przycisk komendy powiązanej z tą kombinacją. Następnie należy obserwować... • sygnalizację diody Led „L1” oraz zinterpretować jej znaczenie przy pomocy **Tabeli 5**; • sygnalizację diody Led „L2” oraz zinterpretować jej znaczenie przy pomocy **Tabeli 6**; • komendy wykonanej przez automatykę. Jeżeli obserwacje oraz interpretacje nie zgadzają się ze sobą, należy przeczytać

rozdział 11 - „Co zrobić, jeżeli... rozwiązywanie problemów”.

**D** Wykonać kontrolę opisaną powyżej, dla wszystkich pozostałych zapisanych kombinacji.

## 11 - CO ZROBIĆ, JEŚLI... (rozwiązywanie problemów)

- **Kontrolka Led „L2” zamiga 2 razy + przerwa, w kolorze czerwonym.** → Sprawdzić z tyłu klawiatury, czy zworka jest włożona prawidłowo.
- **(Obecność większej ilości klawiatur podłączonych do jednej centrali sterującej). Po wysłaniu komendy, jeżeli nie zostało to wykonane, kontrolka Led „L2” zamiga 3 razy + pauza.** → Upewnić się, że każda klawiatura ma zworkę włożoną w innym położeniu, od tych używanych przez inne urządzenia sterujące „BlueBus” znajdujące się w instalacji.
- **Po naciśnięciu przycisków klawiatura nie wydaje żadnych dźwięków.** → Sprawdzić czy pamięć BM jest prawidłowo włożona.
- **Po wysłaniu komendy, jeżeli dioda Led „L1” miga wskazując że komenda została wykonana, ale w rzeczywistości centrala sterująca go nie wykonała.** → Sprawdzić, czy procedura rozpoznawania urządzenia z strony centrali, została wykonana prawidłowo.
- **Jeżeli klawiatura nie uruchamia się.** → Sprawdzić przy pomocy odpowiedniego przyrządu, czy napięcie (vdc) jest obecne w sieci „BlueBus”.
- **Po doprowadzeniu napięcia, klawiatura uruchamia się, ale komendy nie są wykonywane.** → Sprawdzić, czy centrala sterująca, do której podłączona jest klawiatura, obslu-

guje połączenia „BlueBus” dla urządzeń sterujących.

- **Jeżeli kombinacja zostanie wprowadzona błędnie więcej niż 3 razy, klawiatura blokuje się i nadaje sygnał dźwiękowy w regularnych odstępach czasu.** → Klawiatura odblokowuje się automatycznie po 1 minucie.
- **Jeżeli automatyka nie odpowiada na wysłaną komendę oraz kontrolka Led „L2” pozostaje zapalona na zielono.** → Mogła zostać wysłana komenda blokowania automatyki. W takim wypadku, odblokować automatykę przy pomocy procedury opisanej w paragrafie 8.2.2.

## 12 - TRWAŁOŚĆ PRODUKTU

Produkt nie wymaga żadnej specjalnej konserwacji; zalecamy czyszczenia zewnętrznych powierzchni przy pomocy miękkiej szmatki lekko zwilżonej wodą. Nie używać substancji żrących lub szorujących, takich jak detergenty, rozpuszczalniki i podobne.

## 13 - UTYLIZACJA PRODUKTU

Niniejszy produkt stanowi integralną część systemu automatyki, należy go zatem utylizować razem z nią. • Tak, jak w przypadku instalacji, również po upływie okresu użytkowania tego produktu czynności demontażowe powinien wykonywać wykwalifikowany personel. • Urządzenie składa się z różnego rodzaju materiałów: niektóre z nich mogą zostać poddane recyklingowi, inne powinny zostać poddane utylizacji. Należy we własnym zakresie zapoznać się z informacjami na temat recyklingu i utylizacji, przewidzianymi w lokalnie obowiązujących przepisach dla danej kategorii produktu.



**Uwaga!** – niektóre elementy produktu mogą zawierać substancje szkodliwe lub niebezpieczne, które pozostawione w środowisku mogłyby zaszkodzić środowisku lub zdrowiu ludzkiemu. • Jak wskazuje symbol obok, zabrania się wyrzucania niniejszego produktu razem z odpadami domowymi. W celu usunięcia produktu należy zatem przeprowadzić zgodnie z lokalnie obowiązującymi przepisami „zbiórkę selektywną” lub zwrócić produkt do sprzedawcy w chwili zakupu nowego, równoważnego produktu. **Uwaga!** – lokalne przepisy mogą przewidywać poważne sankcje w przypadku samodzielnej likwidacji tego produktu. • Materiał opakowaniowy podlega utylizacji zgodnie z lokalnymi przepisami.



## PARAMETRY TECHNICZNE

**OSTRZEŻENIA:** • Wszystkie podane parametry techniczne odnoszą się do temperatury otoczenia równej 20°C (± 5°C). • Firma Nice S.p.a. zastrzega sobie prawo do wprowadzenia w dowolnej chwili zmian do urządzenia według własnego uznania, zachowując jednakże to samo zastosowanie i przeznaczenie.

● **Typologia:** urządzenie sterujące z kombinacjami. ● **Zastosowana technologia:** protokół „BlueBus” (standard Nice Spa) do podłączenia oraz komunikacji poprzez kabel bus. ● **Podświetlenie przycisków:** kolor czerwony. ● **Długość przewodu zasilającego:** patrz instrukcja obsługi centrali sterującej. ● **Zasilanie:** poprzez system „BlueBus” firmy Nice Spa. ● **Pobór prądu:** 1,5 jednostka „BlueBus”. ● **Pojemność pamięci:** 255 kombinacji na wymiennej karcie BM1000 (maksymalna ilość kombinacji, które mogą być zapamiętane zależy od modelu zainstalowanej karty). ● **Izolacja:** klasa III. ● **Stopień ochrony obudowy:** EDSB = IP 44; EDSIB = IP 54. ● **Temperatura pracy:** od -20 °C do +55 °C. ● **Użytkowanie w środowisku kwaśnym, zasolonym lub potencjalnie wybuchowym:** Nie. ● **Montaż:** EDSB - na ścianie pionowej, lub kolumnie PPK lub PPH2 (z adapterem EKA01); EDSIB - zabudowa w ścianie pionowej. Przy pomocy adaptera EKA02 możliwość instalacji także na puszcze do zabudowy nieprodukowanej przez Nice. ● **Wymiary (mm):** EDSB = 70 x 70 x 27; EDSIB = 70 x 70 x 78 (13 mm strona zewnętrzna, gdy produkt jest w zabudowie). ● **Ciężar (g):** EDSB = 245; EDSIB = 205.

## 1 - ALGEMENE AANBEVELINGEN EN VOORZORGSMAATREGELEN

**LET OP!** ● Belangrijke aanwijzingen voor de veiligheid.


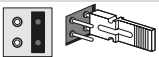
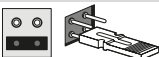
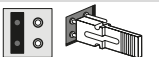
● Naleving van deze aanwijzingen is van belang voor de veiligheid van de betrokken personen. Lees daarom deze handleiding aandachtig voordat u met de werkzaamheden begint. ● Bewaar deze aanwijzingen. ● Alvorens met de installatie te beginnen, moet gecontroleerd worden of het product voor het gewenste type gebruik geschikt is (zie "Gebruikslimieten" en "Technische specificaties van het product"). Als het product niet geschikt is, mag u NIET overgaan tot de installatie ervan. ● Behandel het product tijdens de installatie met zorg en vermijd beknelling, stoten, vallen en contact met vloeistoffen van eender welke aard. Zet het product niet in de buurt van warmtebronnen en stel het niet bloot aan open vuur. Hierdoor zou het beschadigd kunnen raken, waardoor storingen of gevaarlijke situaties kunnen ontstaan. Als dit gebeurt, stopt u de installatie onmiddellijk en wendt u zich tot de klantendienst van Nice. ● Geen enkel onderdeel van het product mag gewijzigd worden. Niet-toegestane handelingen zullen slechts storingen in de werking veroorzaken. De fabrikant aanvaardt geen aansprakelijkheid voor schade die het gevolg is van op willekeurige wijze gewijzigde inrichtingen. ● Het product is niet geschikt om gebruikt te worden door personen (kinderen inbegrepen) met fysieke, zintuiglijke of mentale beperkingen of die onvoldoende kennis en/of erva-

ring hebben. ● Het product kan niet als een absoluut beveiligingssysteem tegen inbraak worden beschouwd. Als u zich nog efficiënter wilt beschermen, moet u andere beveiligingsvoorzieningen in de automatisering integreren.

## 2 - BESCHRIJVING VAN HET PRODUCT EN GBRUIKSBESTEMMING

Deze inrichting is een **digitale schakelaar met cijfercombinatie** uit het **ERA**-assortiment. Ze is bestemd voor de besturing van automatiseringen voor deuren, hekken, garagepoorten, sectionaalpoorten en andere gelijkaardige producten en laat toe om de toegang tot bepaalde plaatsen of diensten, die uitsluitend aan geautoriseerde personen is voorbehouden, te verlenen en te verifiëren. De inrichting werkt alleen met Nice-producten die uitgerust zijn met de "BlueBus"-technologie die de besturingsinrichtingen ondersteunt. **LET OP! – Elk ander gebruik dan in deze handleiding is beschreven of dat plaatsvindt in andere omgevingscondities dan in deze handlei-**

**TABEL 1** - Adressering van de geïnstalleerde inrichtingen

Adres - 1	Adres - 2
	
Adres - 3	Adres - 4
	

### **ding worden beschreven, moet als oneigenlijk en verboden worden beschouwd!**

● De inrichting communiceert met de besturingseenheid en met de andere aanwezige inrichtingen via het “BlueBus”-systeem. Dankzij dit systeem kunnen de aansluitingen “in parallel”, zonder enige polariteit, worden uitgevoerd met 2 geleiders waarlangs de elektrische voeding en de communicatiesignalen lopen. Iedere aangesloten inrichting moet geadresseerd zijn voor de toevoeging van een jumper en moet een ander adres hebben dan de adressen van de andere aangesloten inrichtingen (**Tabel 1**), zodat ze tijdens de procedure voor “herkenning van de aangesloten inrichtingen” door de besturingseenheid kan worden herkend. Om bescherming tegen eventuele frauduleuze pogingen tot vervanging van een inrichting te garanderen, creëert de besturingseenheid tijdens deze herkenningsprocedure een gecodeerde link met alle aanwezige inrichtingen zodat deze met de besturingseenheid verbonden zijn. Meer informatie over het “BlueBus”-systeem vindt u in de instructiehandleiding van de besturingseenheid. ● De inrichting verleent alleen toestemming om de automatisering te bedienen als de gebruiker de combinatie kent die hoort bij de instructie die hij wil verzenden. Op de geïnstalleerde geheugenkaart (mod. BM1000) kunnen tot 255 combinaties worden opgeslagen. De samenvoegingen van combinaties en instructies worden tijdens de programmeerfase via de in deze handleiding vermelde procedure opgeslagen. De geheugenkaart kan anderzijds ook worden weggenomen en rechtstreeks met een van de programmeereenheden van Nice (O-BOX of MOU) worden geprogrammeerd.

### **3 - GEBRUIKSLIMIETEN VAN HET PRODUCT**

● Het product kan uitsluitend worden aangesloten op een be-

sturingseenheid van Nice Spa die uitgerust is met de “BlueBus”-technologie die de besturingsinrichtingen ondersteunt. ● Op één “BlueBus”-besturingseenheid kunnen tot 4 van de volgende inrichtingen worden aangesloten: ETPB (transponderkaartlezer), EDSB, EDSIB (digitale codeklavieren). ● Alvorens tot installatie over te gaan, dient u het hoofdstuk “Technische specificaties van het product” te lezen om te controleren of de omstandigheden waarin u het product wenst te gebruiken, binnen de door de fabrikant bepaalde limietwaarden vallen.

## **4 - INSTALLATIE EN ELEKTRISCHE AANSLUITINGEN**

### **— Aanbevelingen voor de installatie —**

● Het model EDSB moet op een verticale wand worden geïnstalleerd, terwijl het model EDSIB in een verticale wand moet worden ingebouwd. ● Om de invoer van de combinaties en de instructies te vergemakkelijken, plaatst u het product op een hoogte van ca. 1,5 m vanaf de grond. ● De voor de installatie vooraf gekozen plaats, oppervlak en positie moeten compatibel zijn met de totale ruimte die het product inneemt en ze moeten garanderen dat het product vlot bereikbaar is alsook makkelijk gebruikt en onderhouden kan worden, dat het beschermd is tegen onvoorziene stoten en dat het stevig bevestigd is.

### **— Installatiefasen —**

**1** Lees de instructiehandleiding van de besturingseenheid en bepaal de specificaties van de te gebruiken elektrische kabels. **2** Lees de aanbevelingen aan het begin van hoofdstuk 4 om de positie voor de bevestiging van de voorziene inrichtingen te bepalen. **3** Plaats vooraf de beschermingsbuizen voor de

elektrische kabels. **4** Bevestig de voorziene inrichtingen zoals weergegeven in de **afb. 1, 2, 3, 4, 5 - (EDSB) / 1, 2, 3, 4 - (EDSIB)**. **5 LET OP! – Alle aansluitingen moeten worden uitgevoerd als de elektrische voeding is uitgeschakeld.** Steek de elektrische kabels in de beschermingsbuizen en sluit de inrichtingen “parallel” aan, zoals weergegeven in **afb. 6 - (EDSB) / 5 - (EDSIB)**: hierbij moet geen rekening worden gehouden met enige polariteit. **6** Als er meerdere inrichtingen moeten worden geïnstalleerd (maximaal 4 inrichtingen, ook rekening houdend met eventuele transponderkaartlezers, ETPB), moet nu de positie van de jumper bij iedere inrichting worden gewijzigd (**afb. 7 - EDSB / 6 - EDSIB**) door een nieuw adres te kiezen in **Tabel 1. Let op!** – Iedere inrichting moet een ander adres hebben dan de adressen die in de andere inrichtingen worden gebruikt. **7** Schakel de elektrische stroom naar de besturingseenheid in: het led-lampje “**L2**” (**afb. 8 - EDSB / 7 - ED-**

SIB) begint te knippen om het type en de status aan te geven van de in de inrichting geïnstalleerde BM-geheugenkaart (zie **Tabel 2** voor de betekenis van de knippersignalen), eventueel gevolgd door 5 korte knipperingen als het geheugen leeg is. **8** Zoek in de instructiehandleiding van de besturingseenheid de procedure voor “herkenning van de aangesloten inrichtingen” en voer ze vervolgens uit (hierdoor zal de besturingseenheid iedere aangesloten “BlueBus”-inrichting individueel herkennen). **9** Voer de **Programmering** van de inrichting uit zoals vermeld in de hoofdstukken 5, 6, 7, 8. **10** Lees na de programmering hoofdstuk 9 over het gebruik van de inrichting en voer vervolgens de procedure voor **oplevering** beschreven in hoofdstuk 10 uit om te controleren of de geïnstalleerde inrichtingen correct werken. **11** Beëindig de installatie tot slot zoals weergegeven in de **afb. 9, 10 - (EDSB) / 8, 9 - (EDSIB)**.

## 5 - AANBEVELINGEN VOOR DE PROGRAMMERING

### 5.1 - De combinaties en hun samenvoeging met de instructies

● Een combinatie is een “toegangssleutel” die moet worden geprogrammeerd in functie van datgene wat de gebruiker nodig heeft en vereist. Hij kan bestaan uit **één of meer cijfers, met een maximum van negen cijfers**, waarbij ieder cijfer een gewenste numerieke waarde van “0” tot “9” kan aannemen. ● Een combinatie kan aan één of aan beide instructietoetsen (▲ en ▼) worden gelinkt, op basis van de procedure die voor de programmering ervan wordt gekozen. — **Als de combinatie aan een van de twee instructietoetsen (▲ of ▼) is gelinkt, kunt u bij gebruik van de inrichting na invoer van de combina-**

**TABEL 2** - Signalen van het led-lampje “**L2**” betreffende het BM-geheugen

Knippersignalen led-lampje “L2”	Betekenis
<b>1 maal rood knippen</b>	BM60
<b>2 maal rood knippen</b>	BM250
<b>3 maal rood knippen</b>	BM1000
<b>4 maal rood knippen</b>	Geeft de opslag van ongeldige codes aan
<b>5 maal rood knippen</b>	Fout bij het lezen van het geheugen
<b>5 maal (traag) rood knippen</b>	Geheugen leeg

tie alleen op de instructietoets drukken die aan de combinatie werd gelinkt (drukken op de andere toets zal geen effect hebben). — **Als de combinatie aan beide instructietoetsen (▲ en ▼) is gelinkt**, kunt u bij gebruik van de inrichting na invoer van de combinatie op de ene of de andere instructietoets drukken: hierdoor kunt u met één zelfde combinatie twee verschillende instructies verzenden. ● Bij het verlaten van de fabriek is de inrichting als volgt ingesteld: de toets ▲ is gelinkt aan de instructie “Stap-voor-stap” en de toets ▼ is gelinkt aan de instructie “Gedeeltelijke opening”. Het is mogelijk om deze instructies te veranderen via de procedures 8.1.1 en 8.1.2. ● Tijdens de programmeerfase laat de inrichting geluidssignalen horen om een correcte werking of een fout te melden. Raadpleeg

<b>TABEL 3 - Geluidssignalen tijdens de programmering</b>	
<b>Geluidssignaal</b>	<b>Betekenis</b>
<b>1 signaal</b>	Geeft de normale invoer van een toets aan.
<b>2 opeenvolgende signalen + 1 signaal</b>	Geeft de invoer van een ongeldige combinatie aan.
<b>3 signalen</b>	Geeft het einde en de goede uitvoering van de programmeerprocedure aan.
<b>1 signaal in regelmatig tempo</b>	Wanneer 3 maal na elkaar een verkeerd wachtwoord is ingevoerd, geeft dit signaal aan dat het toetsenbord gedurende 1 minuut geblokkeerd blijft.
<b>Signaalreeksen</b>	Geeft aan dat er een fout is begaan en dat de procedure mislukt is.

**Tabel 3** voor de respectieve betekenis van de geluidssignalen.

## 5.2 - Onderverdeling van de programmeerprocedure

● Alle programmeerprocedures in deze handleiding zijn onderverdeeld in twee groepen: — **Programmering in modus “EASY”**. — **Programmering in modus “PROFESSIONAL”**.

● **Modus “EASY”**: in deze modus kan slechts één combinatie via programmering worden gelinkt aan de toetsen ▲ en ▼. Als alternatief is het mogelijk om twee verschillende combinaties te programmeren: de ene combinatie wordt gelinkt aan de toets ▲ en de andere combinatie wordt gelinkt aan de toets ▼. In de modus “Easy” kunnen ook andere functies worden uitgevoerd; deze functies worden vermeld in hoofdstuk 8. ● **Modus “PROFESSIONAL”**: in deze modus kunnen maximaal 255 combinaties worden geprogrammeerd (dit aantal kan variëren volgens de geïnstalleerde geheugenkaart). Om de bij deze modus horende procedures uit te voeren, moet een **“wachtwoord voor Professional-programmering”** bestaande uit **7 cijfers** worden ingevoerd (het in de fabriek ingestelde wachtwoord is: **0-3-3-3-3-3-3**). **LET OP! – Vergeet dit wachtwoord niet. Anders moet het volledige geheugen worden gewist en dient u de programmering vanaf het begin te herdoen.**

In de modus “Professional” kunnen ook andere functies worden uitgevoerd; deze functies worden vermeld in hoofdstuk 8. ● **De twee programmeertypes, “Easy” en “Professional”, zijn alternatieve mogelijkheden:** m.a.w. u moet een van beide mogelijkheden kiezen alvorens de programmeerfase te starten, dus **wanneer het geheugen van de inrichting nog leeg is**. Als u achteraf de programmeermodus wilt wijzigen (van “Easy” naar “Professional” of omgekeerd), zal u eerst het volledige geheugen van de inrichting moeten wissen.

## 6 - PROCEDURES OM DE INRICHTING IN MODUS “EASY” TE PROGRAMMEREN

**6.1 (Easy) EEN combinatie programmeren om te linken aan de toetsen ▲ en ▼** (deze procedure geldt als alternatief voor de procedure in paragraaf 6.2).

**1** Druk op de toets “T”. **2** Voer binnen 30 seconden de gewenste combinatie in (min. 1, max. 9 cijfers). **3** Druk 1 maal op de toets ▲ en 1 maal op de toets ▼. Als de procedure correct is uitgevoerd, laat het toetsenbord 3 geluidssignalen horen.

**6.2 (Easy) TWEE verschillende combinaties programmeren: de ene wordt gelinkt aan de toets ▲ en de andere wordt gelinkt aan de toets ▼** (deze procedure geldt als alternatief voor de procedure in paragraaf 6.1).

**1** Druk op de toets “T”. **2** Voer binnen 30 seconden de gewenste **EERSTE combinatie** in (min. 1, max. 9 cijfers). **3** Druk 2 keer op de toets ▲. Als de procedure correct is uitgevoerd, laat het toetsenbord 3 geluidssignalen horen. **4** Wacht 5 seconden. **5** Druk op de toets “T”. **6** Voer binnen 30 seconden de gewenste **TWEDE combinatie** in (min. 1, max. 9 cijfers). **7** Druk 2 keer op de toets ▼. Als de procedure correct is uitgevoerd, laat het toetsenbord 3 geluidssignalen horen.

.....  
**BELANGRIJK – Andere in modus “Easy” programmeerbare functies zijn vermeld in hoofdstuk 8.**

## 7 - PROCEDURES OM DE INRICHTING IN MODUS “PROFESSIONAL” TE PROGRAMMEREN

**7.1 (Professional) Een combinatie programmeren om te linken aan de toets ▲** (referentienummer: 1).

**1** Voer het wachtwoord voor de programmering in. – Druk op de toets ▼ om te bevestigen. **2 Voer het cijfer “1” in.** – Druk op de toets ▼ om te bevestigen. **3** Voer de gewenste combinatie in. – Druk op de toets ▼ om te bevestigen. **4** Voer dezelfde combinatie nogmaals in. – Druk op de toets ▼ om te bevestigen.

**7.2 (Professional) Een combinatie programmeren om te linken aan de toets ▼** (referentienummer: 2).

**1** Voer het wachtwoord voor de programmering in. – Druk op de toets ▼ om te bevestigen. **2 Voer het cijfer “2” in.** – Druk op de toets ▼ om te bevestigen. **3** Voer de gewenste combinatie in. – Druk op de toets ▼ om te bevestigen. **4** Voer dezelfde combinatie nogmaals in. – Druk op de toets ▼ om te bevestigen.

**7.3 (Professional) Een combinatie programmeren om te linken aan de toetsen ▲ en ▼** (referentienummer: 1-2).

**1** Voer het wachtwoord voor de programmering in. – Druk op

de toets ▼ om te bevestigen. **2** Voer de cijfers “1-2” in. – Druk op de toets ▼ om te bevestigen. **3** Voer de gewenste combinatie in. – Druk op de toets ▼ om te bevestigen. **4** Voer dezelfde combinatie nogmaals in. – Druk op de toets ▼ om te bevestigen.

---

#### **7.4 (Professional) Het wachtwoord voor Professional-programmering wijzigen** (referentienummer: **3**).

Het wachtwoord kan telkens wanneer u dat wenst worden gewijzigd (het in de fabriek ingestelde wachtwoord is: **0-3-3-3-3-3**). Om de wijziging te kunnen uitvoeren, moet u het laatst geldende wachtwoord kennen.

**1** Voer het wachtwoord voor de programmering in. – Druk op de toets ▼ om te bevestigen. **2** Voer het cijfer “3” in. – Druk op de toets ▼ om te bevestigen. **3** Voer een **nieuw wachtwoord** voor de “Professional”-programmering in; gebruik daarvoor **zeven cijfers** die u zelf hebt gekozen. – Druk op de toets ▼ om te bevestigen. **4** Voer hetzelfde wachtwoord nogmaals in (het net aangemaakte wachtwoord). – Druk op de toets ▼ om te bevestigen.

---

#### **7.5 (Professional) EEN aan de toets ▲** gelinkte combinatie schrappen (referentienummer: **4**).

**1** Voer het wachtwoord voor de programmering in. – Druk op de toets ▼ om te bevestigen. **2** Voer het cijfer “4” in. – Druk op de toets ▼ om te bevestigen. **3** Voer de combinatie in die u wilt schrappen, gekozen uit de combinaties die aan de toets ▲ zijn gelinkt. – Druk op de toets ▼ om te bevestigen. **4** Voer nogmaals dezelfde te wissen combinatie

in. – Druk op de toets ▼ om te bevestigen.

---

#### **7.6 (Professional) EEN aan de toets ▼** gelinkte combinatie schrappen (referentienummer: **5**).

**1** Voer het wachtwoord voor de programmering in. – Druk op de toets ▼ om te bevestigen. **2** Voer het cijfer “5” in. – Druk op de toets ▼ om te bevestigen. **3** Voer de combinatie in die u wilt schrappen, gekozen uit de combinaties die aan de toets ▼ zijn gelinkt. – Druk op de toets ▼ om te bevestigen. **4** Voer nogmaals dezelfde te wissen combinatie in. – Druk op de toets ▼ om te bevestigen.

---

#### **7.7 (Professional) EEN aan de toetsen ▲ en ▼** gelinkte combinatie schrappen (referentienummer: **4-5**).

**1** Voer het wachtwoord voor de programmering in. – Druk op de toets ▼ om te bevestigen. **2** Voer de cijfers “4-5” in. – Druk op de toets ▼ om te bevestigen. **3** Voer de combinatie in die u wilt schrappen, gekozen uit de combinaties die aan de toetsen ▲ en ▼ zijn gelinkt. – Druk op de toets ▼ om te bevestigen. **4** Voer nogmaals dezelfde te wissen combinatie in. – Druk op de toets ▼ om te bevestigen.

---

#### **7.8 (Professional) Het aantal geldige combinaties gelinkt aan de toets ▲** tellen (referentienummer: **6**).

**1** Voer het wachtwoord voor de programmering in. – Druk op de toets ▼ om te bevestigen. **2** Voer het cijfer “6” in. – Druk op de toets ▼ om te bevestigen. **3** Om het aantal geldige combinaties te krijgen dat aan de toets ▲ is gelinkt, telt u de

geluidssignaalreeksen die de inrichting laat horen; de betekenis ervan vindt u terug in **Tabel 4**.

**Opmerking** – Om het totale aantal combinaties voor de toets ▲ te kennen, moet u ook de combinaties bijtellen die aan beide toetsen ▲ en ▼ zijn gelinkt, berekend volgens de procedure in paragraaf 7.10.

### 7.9 (Professional) Het aantal geldige combinaties gelinkt aan de toets ▼ tellen (referentienummer: 7).

**1** Voer het wachtwoord voor de programmering in. – Druk op de toets ▼ om te bevestigen. **2** Voer het cijfer “7” in. – Druk op de toets ▼ om te bevestigen. **3** Om vervolgens het aantal geldige combinaties te krijgen dat aan de toets ▼ is gelinkt, telt u de geluidssignaalreeksen die de inrichting laat horen; de betekenis ervan vindt u terug in **Tabel 4**.

**Opmerking** – Om het totale aantal combinaties voor de toets

**TABEL 4** - Tellen van de opgeslagen combinaties

De geluidssignaalreeksen weerklinken in de opgegeven volgorde: honderdtal, tientallen, eenheden.

<b>3 signalen</b>	<b>1 honderdtal</b> (bv.: 2 reeksen van 3 signalen = 200 combinaties)
<b>2 signalen</b>	<b>1 tiental</b> (bv.: 3 reeksen van 2 signalen = 30 combinaties)
<b>1 signaal</b>	<b>1 eenheid</b> (bv.: 5 reeksen van 1 signaal = 5 combinaties)
<b>1 signaal (10 reeksen)</b>	cijfer “nul”

▼ te kennen, moet u ook de combinaties bijtellen die aan beide toetsen ▲ en ▼ zijn gelinkt, berekend volgens de procedure in paragraaf 7.10.

### 7.10 (Professional) Het aantal geldige combinaties gelinkt aan de toetsen ▲ en ▼ tellen (referentienummer: 6-7).

**1** Voer het wachtwoord voor de programmering in. – Druk op de toets ▼ om te bevestigen. **2** Voer de cijfers “6-7” in. – Druk op de toets ▼ om te bevestigen. **3** Om vervolgens het aantal geldige combinaties te krijgen dat aan de toetsen ▲ en ▼ is gelinkt, telt u de geluidssignaalreeksen die de inrichting laat horen; de betekenis ervan vindt u terug in **Tabel 4**.

### DEACTIVERING EN HERACTIVERING VAN DE COMBINATIES

Deze functie laat toe om alle combinaties eindigend op een bepaald cijfer te deactiveren of opnieuw te activeren. Bij deactivering worden de combinaties niet uit het geheugen gewist. • De procedures 7.11 en 7.12 kunnen worden herhaald door telkens een combinatiegroep met een ander eindcijfer in te schakelen.

### 7.11 (Professional) Alle combinaties eindigend op een bepaald cijfer deactiveren (referentienummer: 8).

**1** Voer het wachtwoord voor de programmering in. – Druk op de toets ▼ om te bevestigen. **2** Voer het cijfer “8” in. – Druk op de toets ▼ om te bevestigen. **3** Voer het laatste cijfer in van de combinaties die u wilt deactiveren. – Druk op de toets



▼ om te bevestigen. **4** Voer nogmaals het laatste cijfer in van de combinaties die u wilt deactiveren. – Druk op de toets ▼ om te bevestigen. Als de procedure correct is uitgevoerd, laat het toetsenbord 3 geluidssignalen horen.

---

### **7.12 (Professional) Alle combinaties eindigend op een bepaald cijfer opnieuw activeren** (referentienummer: **9**).

**1** Voer het wachtwoord voor de programmering in. – Druk op de toets ▼ om te bevestigen. **2** **Voer het cijfer “9” in.** – Druk op de toets ▼ om te bevestigen. **3** Voer het laatste cijfer in van de combinaties die u opnieuw wilt activeren. – Druk op de toets ▼ om te bevestigen. **4** Voer nogmaals het laatste cijfer in van de combinaties die u opnieuw wilt activeren. – Druk op de toets ▼ om te bevestigen. Als de procedure correct is uitgevoerd, laat het toetsenbord 3 geluidssignalen horen.

---

### **7.13 (Professional) Programmeren hoeveel keer u een combinatie wilt gebruiken** (referentienummer: **1-0**).

Alle net gecreëerde combinaties kunnen volgens de fabrieksinstelling **onbeperkt worden gebruikt**. Deze procedure laat u echter toe om een zelf gekozen limiet in te stellen voor het gebruik van een combinatie: maximaal kan 999 keer worden ingesteld; hogere waarden impliceren een onbeperkt gebruik van de combinatie. Telkens wanneer u de combinatie daarna gebruikt, zal het systeem de respectieve teller met één verminderen. Zodra de teller op nul komt, kan de combinatie niet langer worden gebruikt.

**1** Voer het wachtwoord voor de programmering in. – Druk op de toets ▼ om te bevestigen. **2** **Voer de cijfers “1-0” in.** – Druk op de toets ▼ om te bevestigen. **3** Voer de combinatie in waarvan u het gebruik wilt beperken. – Druk op de toets ▼ om te bevestigen. **4** Voer dezelfde combinatie nogmaals in. – Druk op de toets ▼ om te bevestigen. **5** Voer in hoeveel keer u de combinatie wilt gebruiken (max. waarde: 999). – Druk op de toets ▼ om te bevestigen. Als de procedure correct is uitgevoerd, laat het toetsenbord 3 geluidssignalen horen.

---

### **7.14 (Professional) Het volledige in modus “Professional” geprogrammeerde geheugen wissen, wanneer het wachtwoord voor de programmering GEKEND IS** (referentienummer: **0**).

**1** Voer het wachtwoord voor de programmering in. – Druk op de toets ▼ om te bevestigen. **2** **Voer het cijfer “0” in.** – Druk op de toets ▼ om te bevestigen. **3** **Voer nogmaals het cijfer “0” in.** – Druk op de toets ▼ om te bevestigen. **4** **Voer nogmaals het cijfer “0” in.** – Druk op de toets ▼ om te bevestigen. De inrichting laat nu 3 geluidssignalen horen, gevolgd door 5 knippersignalen van het led-lampje “L2”. **5** Tot slot voert u opnieuw de procedure uit voor het herkennen van de inrichtingen die op de besturingseenheid zijn aangesloten, zoals beschreven in de handleiding van de besturingseenheid.

Na de procedure zal het nodig zijn om de inrichting opnieuw te programmeren. **Opmerking** – Wanneer u met een nieuwe programmering start, zult u opnieuw kunnen kiezen welke modus u wenst voor de herprogrammering van de inrichting (“Easy” of “Professional”).

**BELANGRIJK – Andere in modus “Professional” programmeerbare functies zijn vermeld in hoofdstuk 8.**

## **8 - BIJKOMENDE INFORMATIE – GEMEENSCHAPPELIJKE PROCEDURES VOOR DE TWEE PROGRAMMEERMODI: “EASY” EN “PROFESSIONAL”**

### **8.1 - Een andere instructie kiezen voor de toets ▲ of de toets ▼**

Deze functie laat toe om de instructie die hoort bij de toets ▲ of de toets ▼ te veranderen. De gewenste nieuwe instructie dient u te kiezen in de kolom “Instructie” van **Tabel 5**. **Let op!** – Bij sommige besturingseenheden kunnen andere instructies worden gebruikt dan de instructies vermeld in Tabel 5.

**1** Voer een geldige combinatie in voor de toets waarvan u de instructie wilt veranderen. **2** Bevestig het wachtwoord door te drukken op de toets (▲ of ▼) waarbij het wachtwoord hoort: het led-lampje “L1” knippert enkele malen, gevolgd door een pauze in functie van de actueel ingestelde instructie (zie **Tabel 5**). **3** Druk meermaals op de toets “T” om de gewenste nieuwe instructie te kiezen (het led-lampje “L1” begint te knipperen): bij elke druk op de toets selecteert het systeem de volgende instructie in de tabel, waarna u nog eens 10 seconden tijd hebt om de keuze te programmeren. Als u die tijd laat verstrijken, gaat het led-lampje “L1” uit en het systeem herbevestigt de eerder gekozen instructie. **4** Tot slot drukt u op de toets waarop u eerder in punt 02 al had gedrukt om de

9 – Nederlands

**TABEL 5 - Instructies geassocieerd met de toets ▲ of de toets ▼**

Signaal led-lampje “L1”	Besturing
<b>1 knippersignaal + pauze</b>	<b>STAP-VOOR-STAP</b> (in de fabriek gelinkt aan de toets ▲)
<b>2 knippersignalen + pauze</b>	<b>OPENEN</b>
<b>3 knippersignalen + pauze</b>	<b>SLUITEN</b>
<b>4 knippersignalen + pauze</b>	<b>GEDEELTELIJK OPENEN</b> (in de fabriek gelinkt aan de toets ▼)
<b>5 knippersignalen + pauze</b>	<b>STOP</b>
<b>6 knippersignalen + pauze</b>	<b>GEBRUIKERSLICHT</b>

gekozen nieuwe instructie te bevestigen.

### **8.2 - De automatisering blokkeren / deblokkeren**

Deze functie laat toe om via het toetsenbord de instructie voor het “blokkeren” of “deblokkeren” van de automatisering te verzenden.

**1** Druk op de toets ▲: het toetsenbord geeft de foutmelding “verkeerde combinatie”. **2** Doe het volgende binnen 10 seconden: • om te automatisering te blokkeren = voer “0-0” in. • om te automatisering te deblokkeren = voer “1-1” in. **3** Voer binnen 10 seconden een geldige combinatie in. **4** Druk op de toets ▲ om de in punt 02 gekozen actie te bevestigen. Als de procedure correct is uitgevoerd, laat het toetsenbord 3 geluidssignalen horen en geeft het led-lampje “L2” de bedrijfsstatus weer (zie **Tabel 6**).

### 8.3 - Het volledige geheugen wissen

**1** Druk op de toets “**T**” en houd deze ingedrukt: het led-lampje “**L1**” blijft branden; wacht vervolgens tot het 3 maal knippert en laat de toets “**T**” los tijdens het derde knippersignaal. **2** Het led-lampje “**L1**” geeft nu een reeks lichtimpulsen weer en laat daarna 3 geluidssignalen horen, gevolgd door 5 knippersignalen van het led-lampje vooraan. **3** Tot slot voert u opnieuw de procedure uit voor het herkennen van de inrichtingen die op de besturingseenheid zijn aangesloten, zoals beschreven in de handleiding van de besturingseenheid.

Na de procedure zal het nodig zijn om de inrichting opnieuw te programmeren. **Opmerking** – Wanneer u met een nieuwe programmering start, zult u opnieuw kunnen kiezen welke modus u wenst voor de herprogrammering van de inrichting (“Easy” of “Professional”).

## 9 - AANBEVELINGEN VOOR HET GEBRUIK VAN DE INRICHTING

● Het gebruik van de inrichting baseert zich op de cijfercombinaties die de gebruiker moet kennen en via het toetsenbord moet invoeren om instructies naar de automatisering te kunnen verzenden. ● Om veiligheidsredenen raden we aan om de geprogrammeerde combinaties (en de bijbehorende gelinkte instructies) alleen mee te delen aan de gebruikers die gemachtigd zijn om de automatisering te gebruiken. ● Na invoer van de combinatie kunt u de respectieve instructie verzenden door te drukken op de instructietoets (▲ of ▼) die aan de combinatie is gelinkt. ● Als u een foutieve combinatie invoert, weerklinkt een geluidssignaal. **Belangrijk!** – Wanneer u voor de derde opeen-

**TABEL 6** - Signalen van het led-lampje “**L2**”

Signaal led-lampje “L2”	Betekenis
<b>ROOD permanent branden</b>	Hek gesloten en automatisering gedeblokkeerd
<b>ROOD permanent branden</b>	Hek aan het sluiten
<b>ROOD permanent branden</b>	Hek gesloten noch geopend en automatisering gedeblokkeerd
<b>GROEN permanent branden</b>	Hek aan het openen
<b>GROEN permanent branden</b>	Hek gesloten noch geopend en automatisering geblokkeerd
<b>GROEN permanent branden</b>	Hek geopend en automatisering geblokkeerd
<b>GROEN permanent branden</b>	Hek gesloten en automatisering geblokkeerd
<b>ROOD (3 knippersignalen + 1 pauze)</b>	Inrichting niet gesynchroniseerd met “BlueBus”
<b>ROOD (2 knippersignalen + 1 pauze)</b>	Inrichting niet geadresseerd (m.a.w. zonder jumper)

volgende keer een verkeerde combinatie invoert, blokkeert het systeem de werking van de inrichting gedurende 60 seconden. Daarom raden we aan om, wanneer u bij het invoeren van een combinatie een fout maakt, te stoppen, 10 seconden te wachten en daarna de combinatie opnieuw in te voeren, te beginnen met het eerste cijfer. ● Bij het invoeren van een combinatie hebt

u tussen de invoer van een cijfer en de daaropvolgende invoer 10 seconden tijd. Na het verstrijken van die tijd dient u de combinatie opnieuw vanaf het eerste cijfer in te voeren. ● Terwijl de automatisering in bedrijf is, geeft het led-lampje “L2” lichtsignalen weer. Raadpleeg **Tabel 6** voor de respectieve uitleg ervan.

## 10 - OPLEVERING

Na de programmering moet u controleren of de inrichting correct werkt. Ga daartoe als volgt te werk: **A** Verifieer of de voorschriften van hoofdstuk 1 - Algemene aanbevelingen en voorzorgsmaatregelen worden nageleefd. **B** Lees hoofdstuk 9 over het correcte gebruik van de inrichting. **C** Voer via het toetsenbord een geldige combinatie in en druk op de instructietoets die bij die combinatie hoort. Vervolgens stelt u vast ... ● dat het led-lampje “L1” signalen geeft (uitleg hierover in **Tabel 5**); ● dat het led-lampje “L2” signalen geeft (uitleg hierover in **Tabel 6**); ● de door de automatisering uitgevoerde instructie. Als de bovenvermelde vaststellingen en interpretaties in strijd zijn met elkaar, moet u hoofdstuk 11 - “Wat te doen als ... (problemen oplossen)” lezen. **D** Voer de in het vorige punt beschreven controle uit voor alle opgeslagen combinaties.

## 11 - WAT TE DOEN ALS ... (problemen oplossen)

● **Het led-lampje “L2” knippert 2 maal rood + pauze.** → Controleer op de keerzijde van het toetsenbord of de jumper correct is geplaatst. ● **(Meerdere toetsenborden aangesloten op eenzelfde besturingseenheid) Na verzending van een instructie wordt deze niet uitgevoerd en knippert het led-lampje “L2” 3 maal + pauze.** → Controleer of de jumpers bij alle toetsenborden op een andere positie

staan dan de posities die worden gebruikt door de andere “BlueBus”-besturingsinrichtingen die in de installatie voorkomen. ● **Bij het indrukken van de toetsen laat het toetsenbord geen geluidssignaal horen.** → Controleer of de BM-geheugenplaat correct is ingevoegd. ● **Na verzending van een instructie knippert het led-lampje “L1” om aan te geven dat er een instructie is, maar dat de besturingseenheid ze niet heeft uitgevoerd.** → Controleer of de procedure om de inrichting door de besturingseenheid te laten herkennen correct is uitgevoerd. ● **Het toetsenbord schakelt niet in.** → Controleer met een aangepast instrument of het “BlueBus”-netwerk onder spanning (V DC) staat. ● **Na aansluiting op het stroomnet schakelt het toetsenbord in, maar de instructies worden niet uitgevoerd.** → Controleer of de besturingscentrale waarop het toetsenbord is aangesloten de “BlueBus”-aansluiting voor de besturingsinrichtingen ondersteunt. ● **Wanneer meer dan 3 keer een verkeerde combinatie wordt ingevoerd, blokkeert het toetsenbord en weerklinken met regelmatige intervallen geluidssignalen.** → Het toetsenbord wordt na 1 minuut automatisch gedeblokkeerd. ● **De automatisering reageert niet na verzending van een instructie en het led-lampje “L2” blijft groen branden.** → Er zou per vergissing een instructie tot blokkering van de automatisering verzonden kunnen zijn. Deblokkeer de automatisering in dat geval door de procedure van paragraaf 8.2.2 uit te voeren.

## 12 - ONDERHOUD VAN HET PRODUCT

Het product vereist geen specifiek onderhoud; we raden aan de buitenoppervlakken schoon te maken met een zachte en

licht met water bevochtigde doek. Gebruik geen agressieve of schurende substanties zoals reinigingsmiddelen, oplosmiddelen en gelijkaardige producten.

### 13 - AFVALVERWERKING VAN HET PRODUCT

Dit product maakt integraal deel uit van de automatisering en moet dan ook samen met de automatisering worden afgedankt.

• Net als voor de installatiehandelingen moeten ook de handelingen voor afdanking aan het einde van de levensduur van dit product door gekwalificeerd personeel worden uitgevoerd. • Dit product bestaat uit verschillende soorten materialen: sommige kunnen gerecycled worden, andere moeten verwerkt worden. Informeer u over de methoden voor recycling of afvalverwerking die voorzien zijn in de voorschriften die in uw regio voor deze productcategorie gelden. **Let op!** – Bepaalde onderdelen van het product kunnen verontreinigende of gevaarlijke stoffen bevatten die bij verspreiding in het milieu schadelijke gevolgen voor het milieu of voor de volksgezondheid kunnen hebben.

• Zoals door het symbool hiernaast wordt aangegeven, is het verboden dit product met het huishoudelijk afval weg te gooien. Pas dus “gescheiden afvalinzameling” voor afdanking toe, volgens de methodes voorzien in de voor uw regio geldende voorschriften, of lever het product weer in bij de verkoper op het moment dat u een nieuw gelijksoortig product aanschaft. **Let op!** – De plaatselijke regelgeving kan in zware straffen voorzien in geval van illegale dumping van dit product. • Het verpakkingsmateriaal van het product moet conform de plaatselijke verordeningen worden afgedankt.



### TECHNISCHE SPECIFICATIES

**WAARSCHUWINGEN:** • Alle vermelde technische specificaties hebben betrekking op een omgevingstemperatuur van 20 °C (± 5 °C). • Nice S.p.A. behoudt zich het recht voor om, op elk moment dat dit noodzakelijk wordt geacht, wijzigingen aan het product aan te brengen, waarbij hoe dan ook de gebruiksbestemming en de functionaliteit ervan gelijk blijven.

● **Typologie:** besturingsinrichting op basis van combinaties. ● **Toegepaste technologie:** “BlueBus”-protocol (standaard bij Nice Spa) voor aansluiting en communicatie via Bus-kabel. ● **Achtergrondverlichting van de toetsen:** rood. ● **Lengte van de aansluitkabel:** zie de instructiehandleiding van de besturingseenheid. ● **Voeding:** via het “BlueBus”-systeem van Nice Spa. ● **Opgenomen stroom:** 1,5 “BlueBus”-eenheden. ● **Opslagcapaciteit:** 255 combinaties op verwijderbare kaart BM1000 (het maximale aantal opgeslagen combinaties varieert naargelang van het geïnstalleerde kaartmodel). ● **Isolatie:** klasse III. ● **Beschermingsgraad van de behuizing:** EDSB = IP 44; EDSIB = IP 54. ● **Bedrijfstemperatuur:** van -20 °C tot +55 °C. ● **Gebruik in zure, zoute of potentieel explosieve omgeving:** neen. ● **Montage:** EDSB - opbouw op een verticale wand, een PPK-zuil of een PPH2-zuil (met adapter EKA01); EDSIB - inbouw in een verticale wand. Met de bijbehorende EKA02 ook installeerbaar met een niet door Nice geproduceerde inbouwhouder. ● **Afmetingen (mm):** EDSB = 70 x 70 x 27; EDSIB = 70 x 70 x 78 (13 mm extern gedeelte wanneer het product ingebouwd is). ● **Gewicht (g):** EDSB = 245; EDSIB = 205.

## Appendix

- Technical specifications • Images

## Appendice

- Caratteristiche tecniche • Immagini

## Addenda

- Caractéristiques techniques • Images

## Apéndice

- Características técnicas • Imágenes

## Anhang

- Technische Eigenschaften • Abbildungen

## Załącznik

- Parametry techniczne • Ilustracje

## Bijlage

- Technische specificaties • Afbeeldingen

## EN - CE DECLARATION OF CONFORMITY

**Note** – The content of this declaration corresponds to that specified in the official document deposited at the Nice S.p.A. headquarters and, in particular, to the latest revised edition available prior to the publishing of this manual. The text herein has been re-edited for editorial purposes. A copy of the original declaration can be requested from Nice S.p.A. (TV) I.

Declaration number: **516/EDSxB**

Revision: **0** – Language: **EN**

**Manufacturer's name:** NICE S.p.A. • **Address:** Via Pezza Alta 13, 31046 Rustignè di Oderzo (TV) Italy • **Type:** Digital bus selector • **Models:** EDSB / EDSIB • **Accessories:** No.

The undersigned, Mauro Sordini, as Chief Executive Officer, hereby declares under his own responsibility that the product identified above complies with the provisions of the following directives: DIRECTIVE 2004/108/EC OF THE EUROPEAN PARLIAMENT AND OF THE COUNCIL dated 15th December 2004 on the approximation of the laws of the Member States relating to electromagnetic compatibility and repealing Directive 89/336/EEC, in accordance with following harmonised standards: EN 61000-6-2:2005; EN 61000-6-3:2007 + A1:2011

Oderzo, 1st October 2014

 **Mauro Sordini**  
(Chief Executive Officer)

## IT - DICHIARAZIONE CE DI CONFORMITÀ

**Nota** - Il contenuto di questa dichiarazione corrisponde a quanto dichiarato nel documento ufficiale depositato presso la sede di Nice S.p.a. e, in particolare, alla sua ultima revisione disponibile prima della stampa di questo manuale. Il testo qui presente è stato riadattato per motivi editoriali. Copia della dichiarazione originale può essere richiesta a Nice S.p.a. (TV) I.


Numero dichiarazione: **516/EDSxB**

Revisione: **0** – Lingua: **IT**

**Nome produttore:** NICE s.p.a. • **Indirizzo:** Via Pezza Alta 13, 31046 Rustignè di Oderzo (TV) Italia • **Tipo:** Selettore digitale a bus • **Modelli:** EDSB / EDSIB • **Accessori:** No.

Il sottoscritto Mauro Sordini, in qualità di Amministratore Delegato, dichiara sotto la propria responsabilità che il prodotto sopra indicato risulta conforme alle disposizioni imposte dalle seguenti direttive: 2004/108/CEE DEL PARLAMENTO EUROPEO E DEL CONSIGLIO del 15 dicembre 2004 concernente il ravvicinamento delle legislazioni degli Stati membri relative alla compatibilità elettromagnetica e che abroga la direttiva 89/336/CEE, secondo le seguenti norme armonizzate: EN 61000-6-2:2005; EN 61000-6-3:2007 + A1:2011

Oderzo, 1 ottobre 2014

 Ing. **Mauro Sordini**  
(Amministratore Delegato)

## FR - DÉCLARATION CE DE CONFORMITÉ

**Remarque** - Le contenu de cette déclaration de conformité correspond à ce qui est déclaré dans le document officiel, déposé au siège de Nice S.p.a., et en particulier à sa dernière révision disponible avant l'impression de ce guide. Le présent texte a été réadapté pour des raisons d'édition. Une copie de la déclaration originale peut être demandée à Nice S.p.a. (TV) I.


Numéro de déclaration : **516/EDSxB**

Révision : **0** – Langue : **FR**

**Nom du fabricant :** NICE S.p.a. • **Adresse :** Via Pezza Alta 13, 31046 Rustignè di Oderzo (TV) Italie • **Type :** Sélecteur numérique bus • **Modèles :** EDSB / EDSIB • **Accessoires :** Non.

Le soussigné Mauro Sordini, en sa qualité d'Chief Executive Officer, déclare sous son entière responsabilité que le produit indiqué ci-dessus est conforme aux dispositions prescrites par les directives suivantes : 2004/108/CE du PARLEMENT EUROPÉEN ET DU CONSEIL du 15 décembre 2004 relative au rapprochement des législations des États membres concernant la compatibilité électromagnétique et abrogeant la Directive 89/336/CEE, selon les normes harmonisées suivantes : EN 61000-6-2:2005; EN 61000-6-3:2007 + A1:2011

Oderzo, 1er octobre 2014

 Ing. **Mauro Sordini**  
(Chief Executive Officer)

## ES - DECLARACIÓN DE CONFORMIDAD

**Nota** - El contenido de esta declaración corresponde a lo declarado en el documento oficial depositado en la sede de Nice S.p.a. y, en particular, a su última revisión disponible antes de la impresión de este manual. El texto ha sido readaptado por motivos de impresión. No obstante, se puede solicitar una copia de la declaración original a Nice S.p.a. (TV) I.


Número de declaración: **516/EDSxB**

Revisión: **0** - Idioma: **ES**

**Nombre del fabricante:** NICE s.p.a. • **Dirección:** Via Pezza Alta 13, 31046 Rustignè di Oderzo (TV) Italia • **Tipo:** Selector digital de bus • **Modelos:** EDSB / EDSIB • **Accesorios:** No.

El que suscribe, Mauro Sordini, en calidad de Chief Executive Officer, declara bajo su responsabilidad que el producto antedicho es conforme a las disposiciones de las siguientes directivas: 2004/108/CEE DEL PARLAMENTO EUROPEO Y DEL CONSEJO de 15 de diciembre de 2004 relativa a la aproximación de las legislaciones de los Estados miembros en materia de compatibilidad electromagnética y por la que se deroga la Directiva 89/336/CEE, según las siguientes normas armonizadas: EN 61000-6-2:2005; EN 61000-6-3:2007 + A1:2011

Oderzo, 1 de octubre de 2014

  
Ing. **Mauro Sordini**  
(Chief Executive Officer)

## DE - EG-KONFORMITÄTSERKLÄRUNG

**Hinweis** - Der Inhalt dieser Konformitätserklärung entspricht dem Inhalt der offiziellen Unterlagen, die sich im Firmensitz der Nice S.p.a. befinden, und insbesondere der vor dem Druck dieser Anleitung verfügbaren letzten Revision. Dieser Text wurde aus sprachtechnischen Gründen angepasst. Eine Kopie der Originalerklärung kann bei Nice S.p.a. (TV) I angefordert werden.

Nummer der Erklärung: **516/EDSxB**

Überarbeitung: **0** - Sprache: **DE**

**Herstellername:** NICE S.p.a. • **Adresse:** Via Pezza Alta 13, 31046 Rustignè di Oderzo (TV) Italien • **Typ:** Bus-Digitalwahlschalter • **Modelle:** EDSB / EDSIB • **Zubehör:** Nr.

Der Unterzeichnende, Mauro Sordini erklärt in seiner Funktion als Chief Executive Officer unter eigener Verantwortung, dass das oben genannte Produkt den Vorschriften entspricht, die in folgenden Richtlinien enthalten sind: 2004/108/EWG DES EUROPÄISCHEN PARLAMENTS UND DES RATS vom 15 Dezember 2004 in Bezug auf die Annäherung an die Gesetzgebungen der Mitgliedsstaaten in Bezug auf die elektromagnetische Kompatibilität, welche die Richtlinie 89/336/EWG außer Kraft setzt, entsprechend folgender harmonisierender Normen: EN 61000-6-2:2005; EN 61000-6-3:2007 + A1:2011

Oderzo, 1. Oktober 2014

  
Ing. **Mauro Sordini**  
(Chief Executive Officer)



## PL - DEKLARACJA ZGODNOŚCI CE

**Uwaga** - Zawartość niniejszej deklaracji zgodności odpowiada oświadczeniom znajdującym się w oficjalnym dokumencie złożonym w siedzibie firmy Nice S.p.a., w szczególności ostatnim zmianom dostępnym przed wydrukowaniem niniejszej instrukcji. Niniejszy tekst został dostosowany w celach wydawniczych. Kopię oryginalnej deklaracji można uzyskać w siedzibie spółki Nice S.p.a. (TV) I.


Numer deklaracji: **516/EDSxB**

Rewizja: **0** – Język: **PL**

**Nazwa producenta:** NICE s.p.a. • **Adres:** Via Pezza Alta 13, 31046 Rustignè di Oderzo (TV) Włochy • **Typ:** Przełącznik cyfrowy na szynie • **Modele:** EDSB / EDSIB • **Aksesoria:** Nr

Ja, niżej podpisany, Mauro Sordini jako Chief Executive Officer deklaruje na własną odpowiedzialność, że wyżej wymieniony produkt jest zgodny z następującymi dyrektywami: PARLAMENTU EUROPEJSKIEGO I RADY NR 2004/108/WE z dnia 15 grudnia 2004 roku w sprawie ujednoczenia prawodawstwa państw członkowskich w zakresie kompatybilności elektromagnetycznej, znosząca dyrektywę 89/336/EEG, zgodnie z następującymi normami zharmonizowanymi: EN 61000-6-2:2005; EN 61000-6-3:2007 + A1:2011

Oderzo, 1 października 2014

 Inż. **Mauro Sordini**  
(Chief Executive Officer)

## NL - EG-VERKLARING VAN OVEREENSTEMMING

**Opmerking** - De inhoud van deze verklaring stemt overeen met hetgeen verklaard is in het officiële document dat is neergelegd bij de vestiging van Nice S.p.A., en in het bijzonder met de laatste revisie hiervan die vóór het afdrucken van deze handleiding beschikbaar was. De onderhavige tekst werd om redactionele redenen aangepast. Een kopie van de originele verklaring kan worden aangevraagd bij Nice S.p.A. (TV) I.

Nummer verklaring: **516/EDSxB**

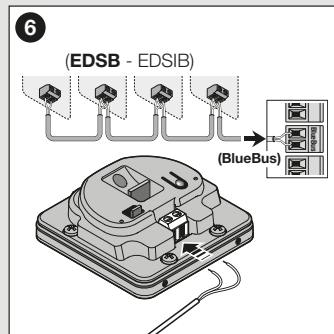
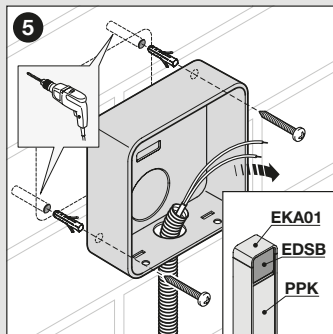
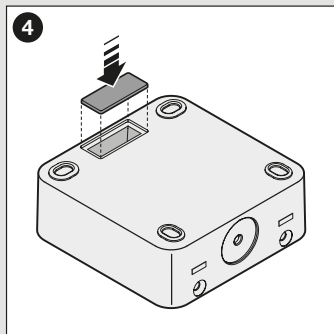
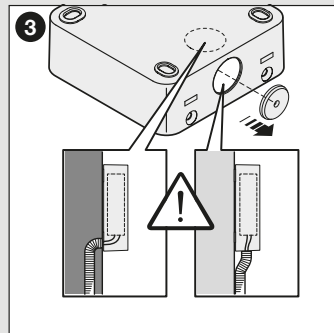
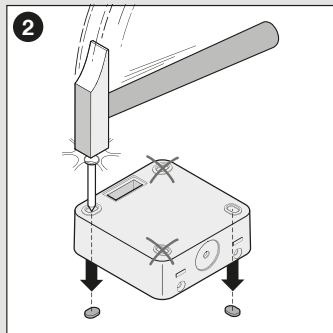
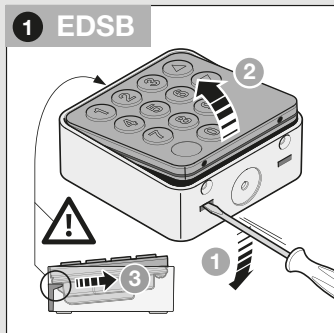
Revisie: **0** – Taal: **NL**

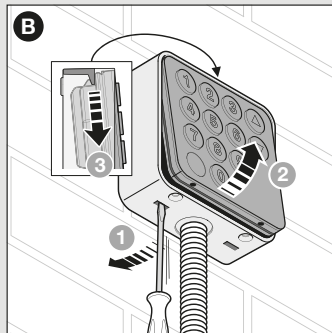
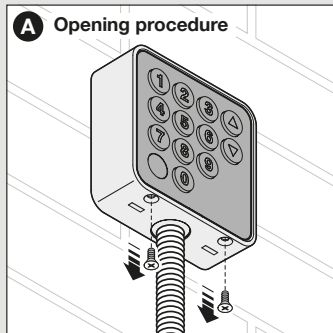
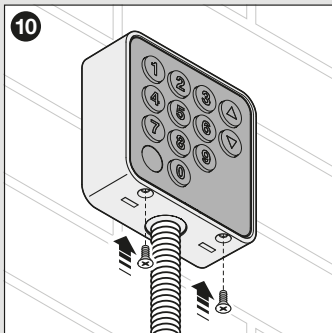
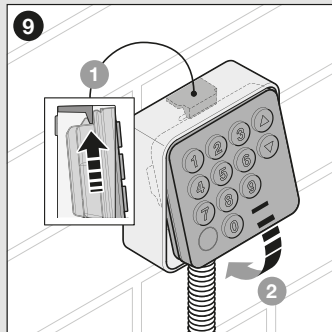
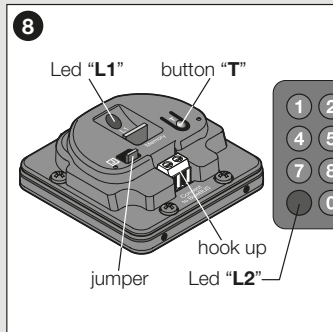
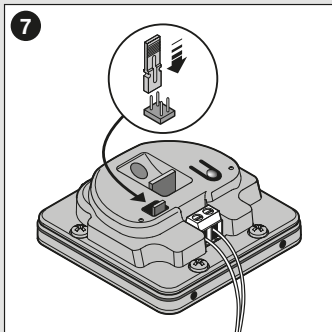
**Naam fabrikant:** NICE S.p.A. • **Adres:** Via Pezza Alta nr. 13, 31046 Rustignè di Oderzo (TV) Italië • **Type:** digitale Buschakelaar • **Modellen:** EDSB / EDSIB • **Accessoires:** neen.

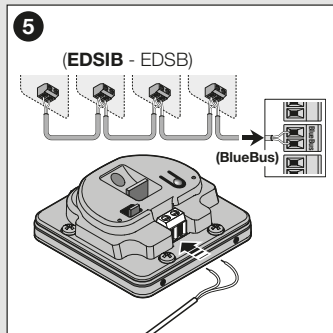
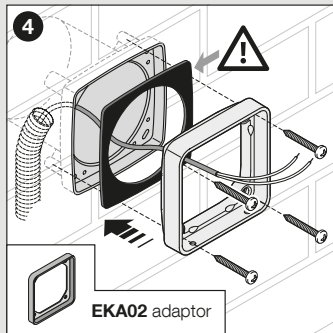
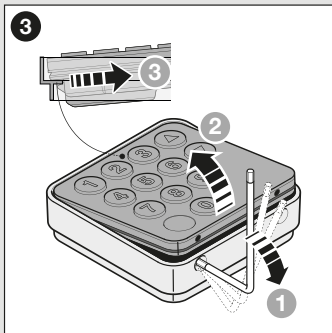
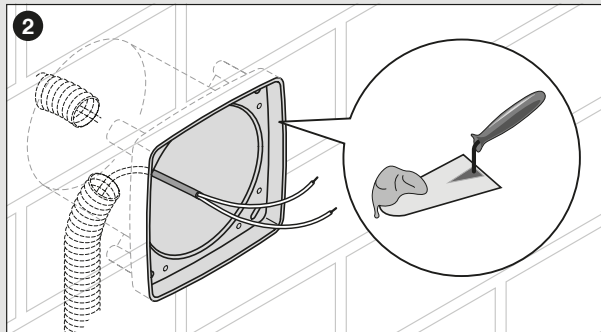
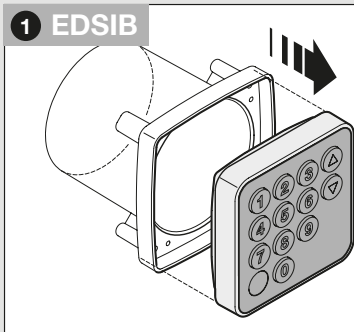
Ondergetekende Mauro Sordini, in de hoedanigheid van Chief Executive Officer, verklaart onder zijn eigen verantwoordelijkheid dat het bovengenoemde product voldoet aan de voorschriften van de volgende richtlijnen: 2004/108/EEG VAN HET EUROPEES PARLEMENT EN DE RAAD van 15 december 2004 inzake de onderlinge aanpassing van de wetgevingen van de lidstaten betreffende de elektromagnetische compatibiliteit en tot intrekking van de richtlijn 89/336/EEG, in overeenstemming met de volgende geharmoniseerde normen: EN 61000-6-2:2005; EN 61000-6-3:2007 + A1:2011

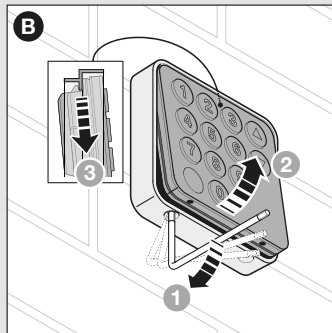
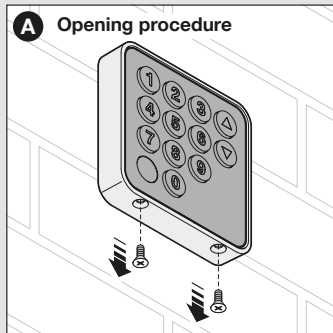
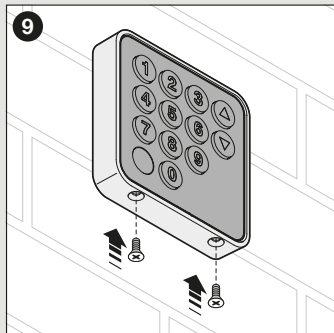
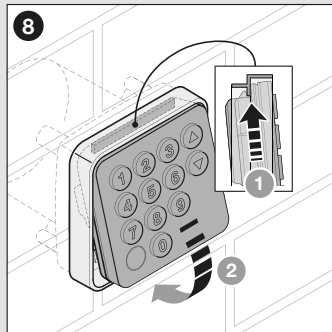
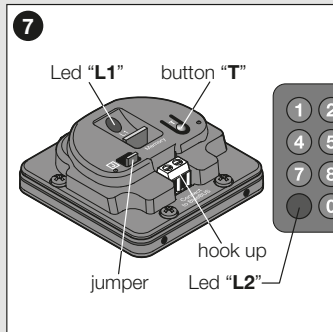
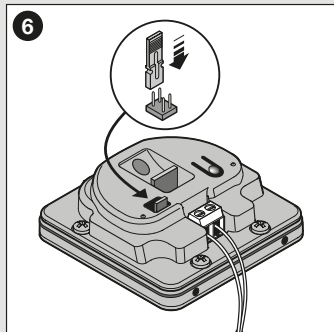
Oderzo, 1 oktober 2014

 Ing. **Mauro Sordini**  
(Chief Executive Officer)















Bauer Systemtechnik GmbH, Geschäftsführer: Franz Bauer  
Gewerbering 17, D-84072 Au i.d. Hallertau  
Tel.: 0049 (0)8752-865809-0, Fax: 0049 (0)8752-9599  
E-Mail: [info@bauer-tore.de](mailto:info@bauer-tore.de)